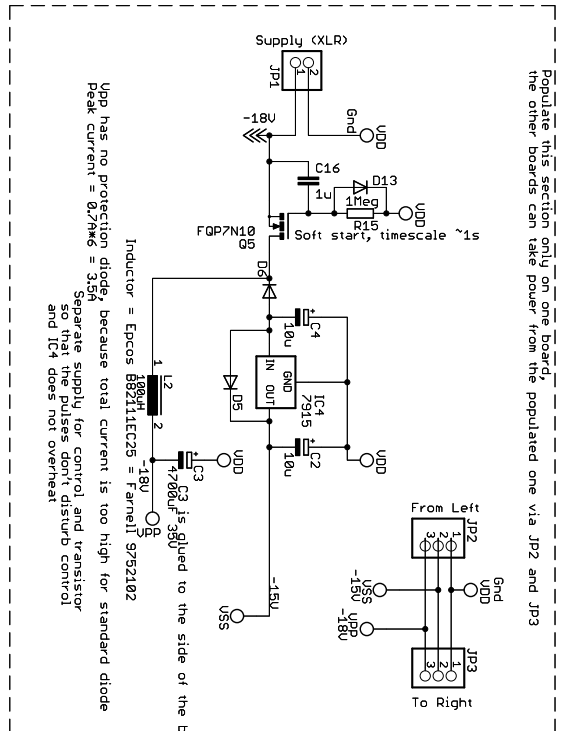


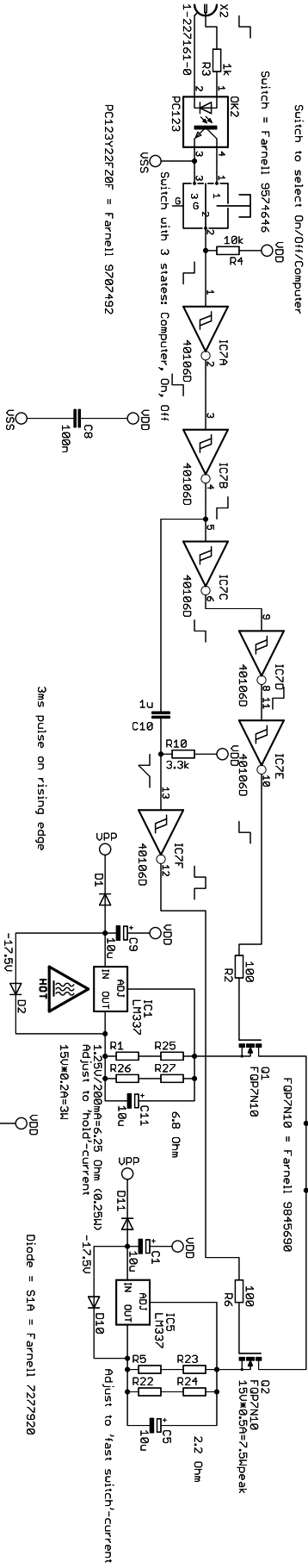
Design is for negative supply because most power supplies are under-used on the negative side



Populate this section only on one board. The other boards can take power from the populated one via JP2 and JP3

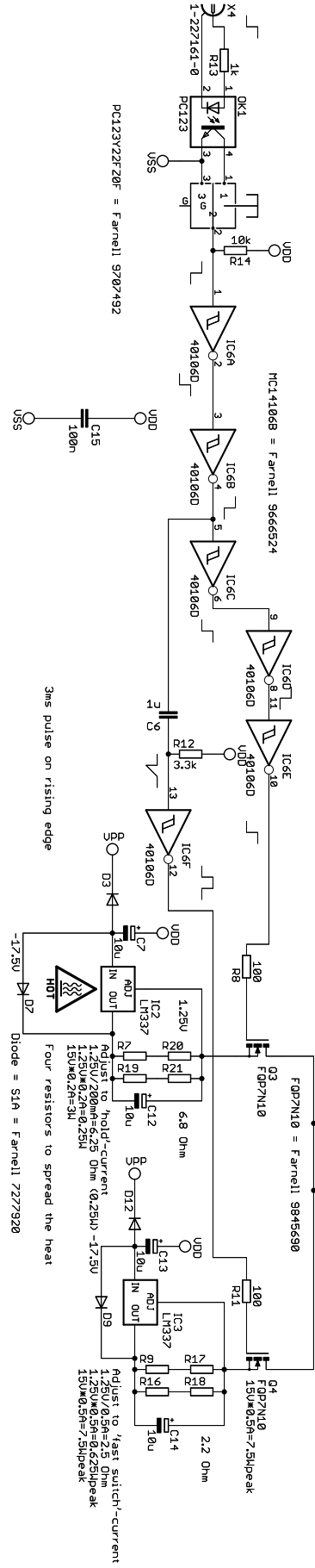
Upp has no protection diode, because total current is too high for standard diode
Peak current = 0.7Amk = 35A
Separate supply for control and transistor
and IC4 does not overheat

MC141068 = Farnell 9666524



CH05 4800 series works at up to 15U
HC, HCT, and similar TTL variants die at 15U
The high voltage is needed to properly switch the motor.

PC123V22F20F = Farnell 9707492



3ms pulse on rising edge

Diode = S1A = Farnell 7277920

Diode = S1A = Farnell 7277920