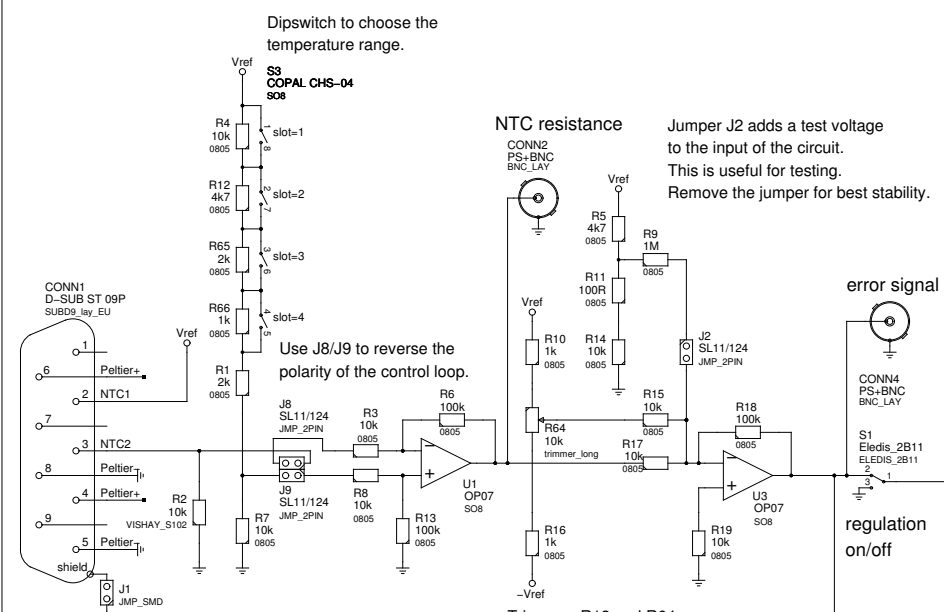
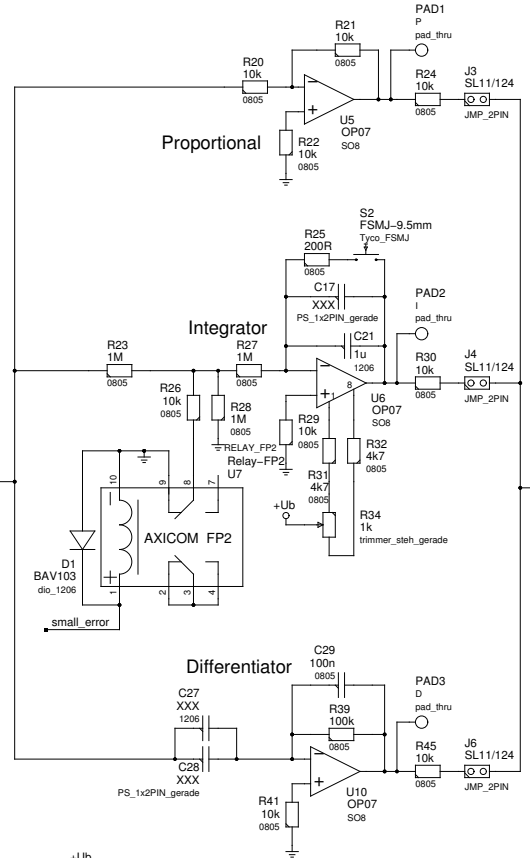
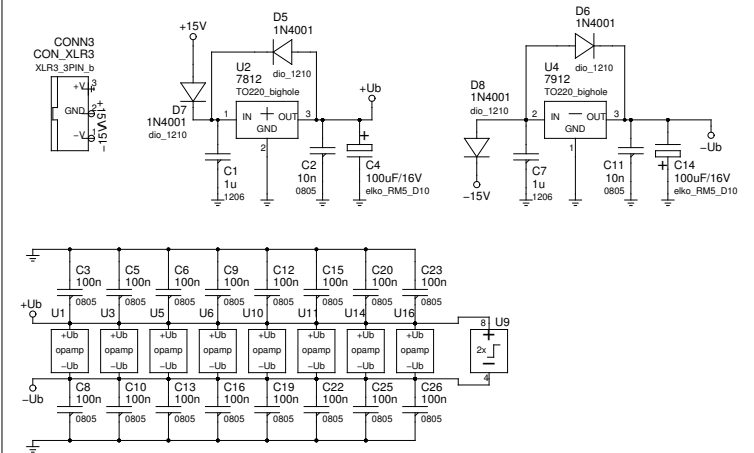


value in parenthesis ----> Do not populate
 value with asterisk ----> value may have to be changed



R1 plus the resistors enabled by the dipswitch should match the actual value of the ntc resistor at the desired temperature. R2 and R7 should match the nominal value of the ntc resistor.



Output current is limited by U8 and U13 to $I = 1.2 / R$. Choose R34 and R53 accordingly.

- To disable current limiting:
- 1) remove R34 and R53.
 - 2) close J6 an J7

