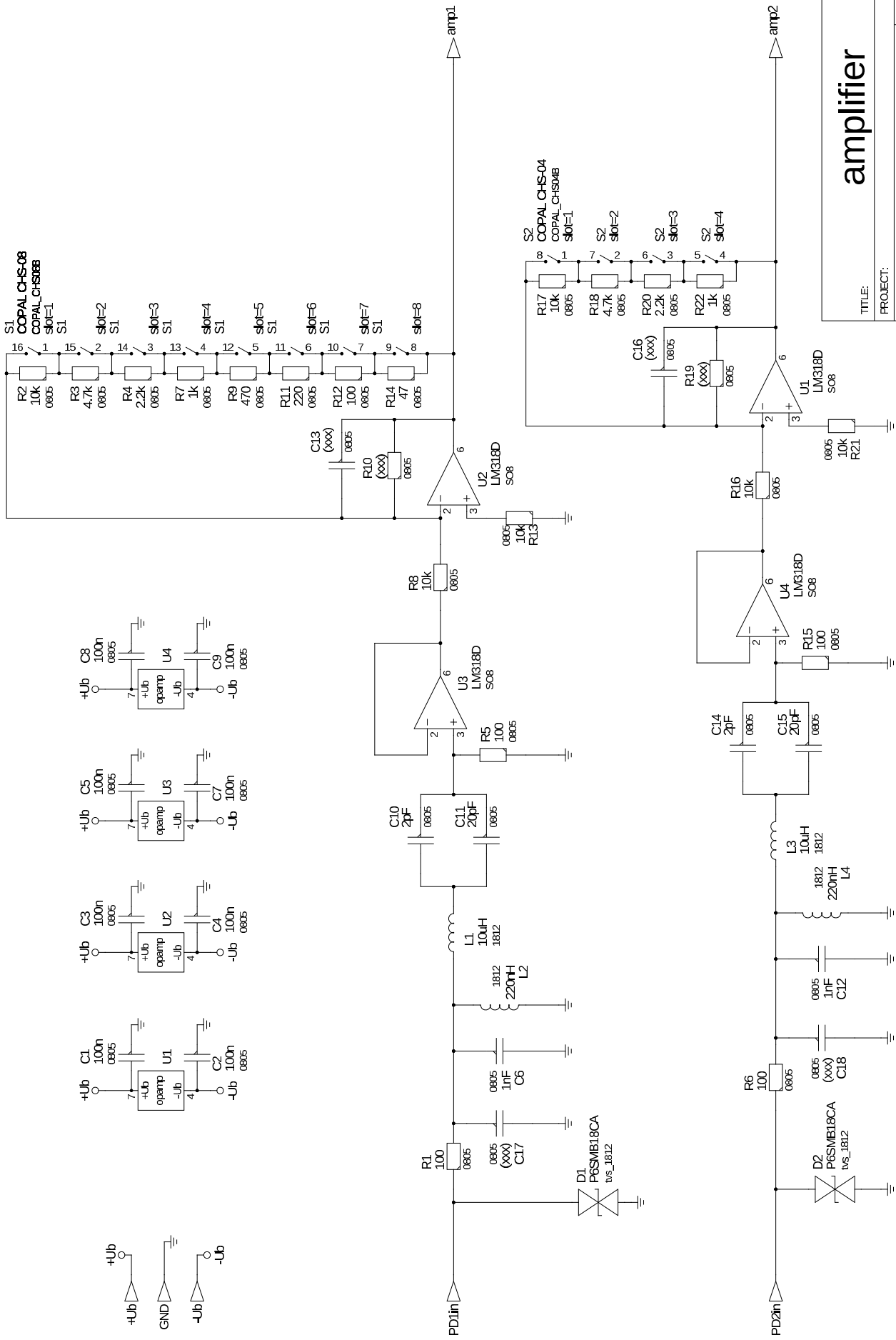
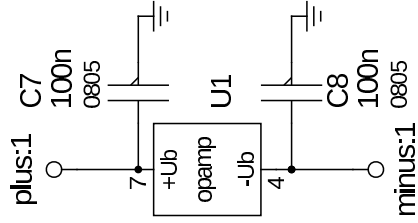
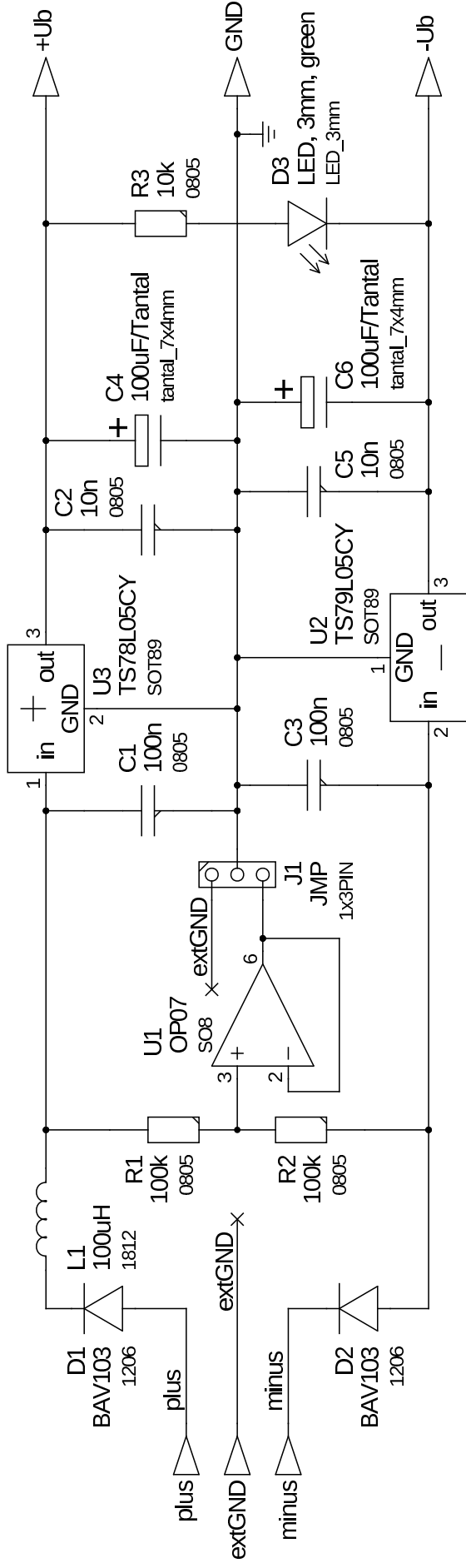


TITLE: PDdiff		REV.:	0.1
		PROJECT:	20.06.14
FILE: PDdiff.sch		DATE:	Matthew
		DRAWN BY:	1/5



TITLE: amplifier		REV.: v1
PROJECT: amplifierPDdiff.sch		DATE: 20.06.14
FILE:		PAGE: 2/5

Matthew
DRAWN BY:



supply

TITLE:

PROJECT:

FILE:

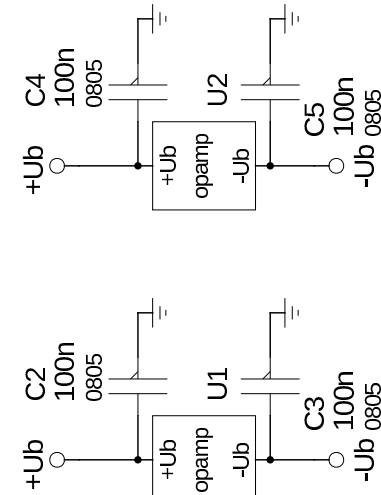
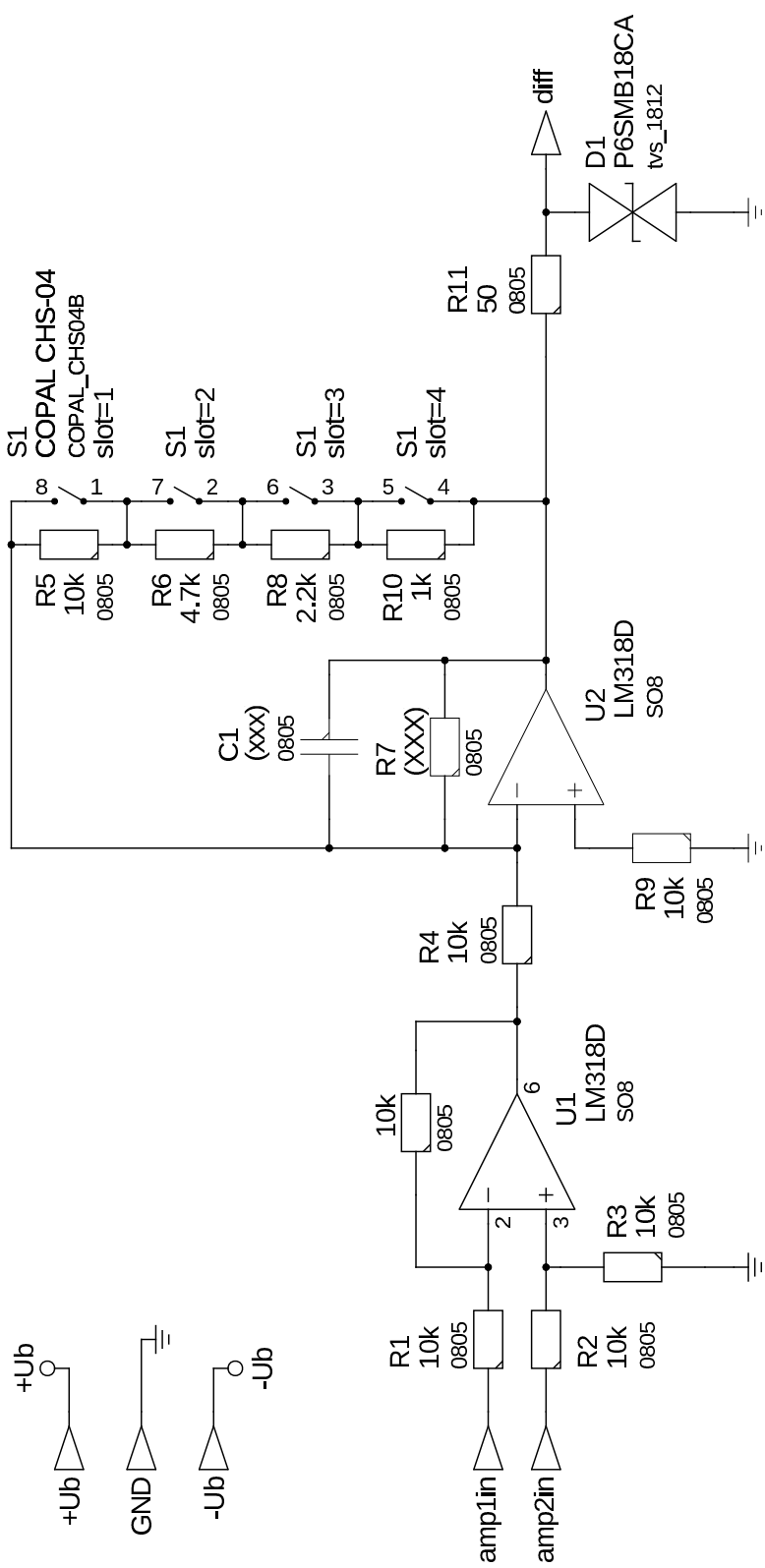
supplyPDdiff.sch

Matthew
DRAWN BY:

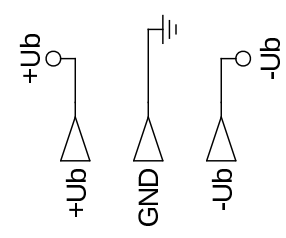
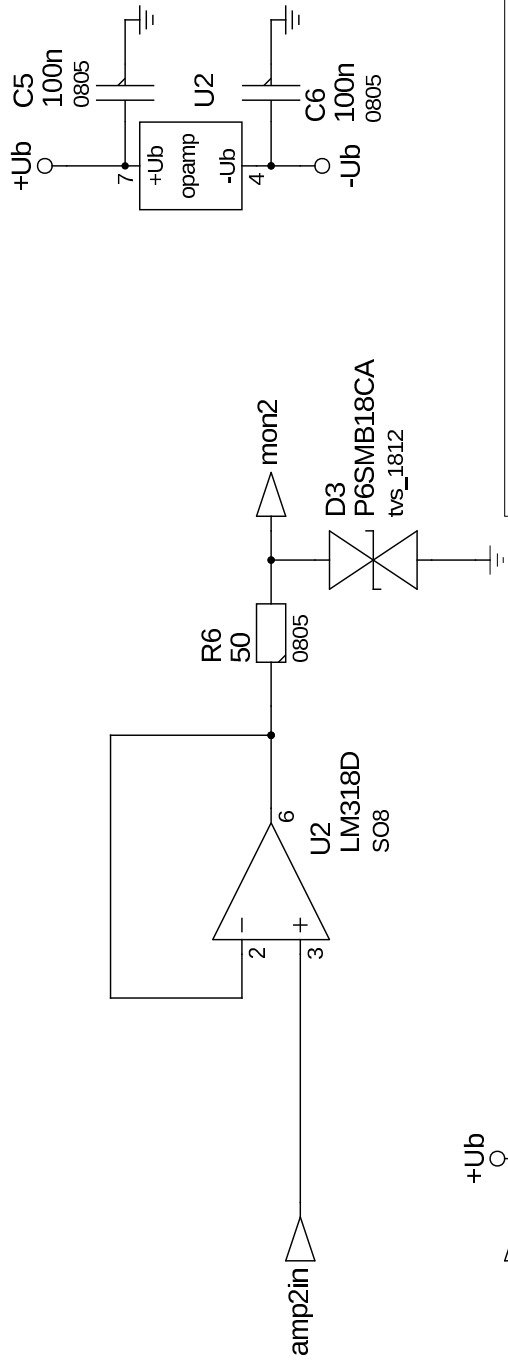
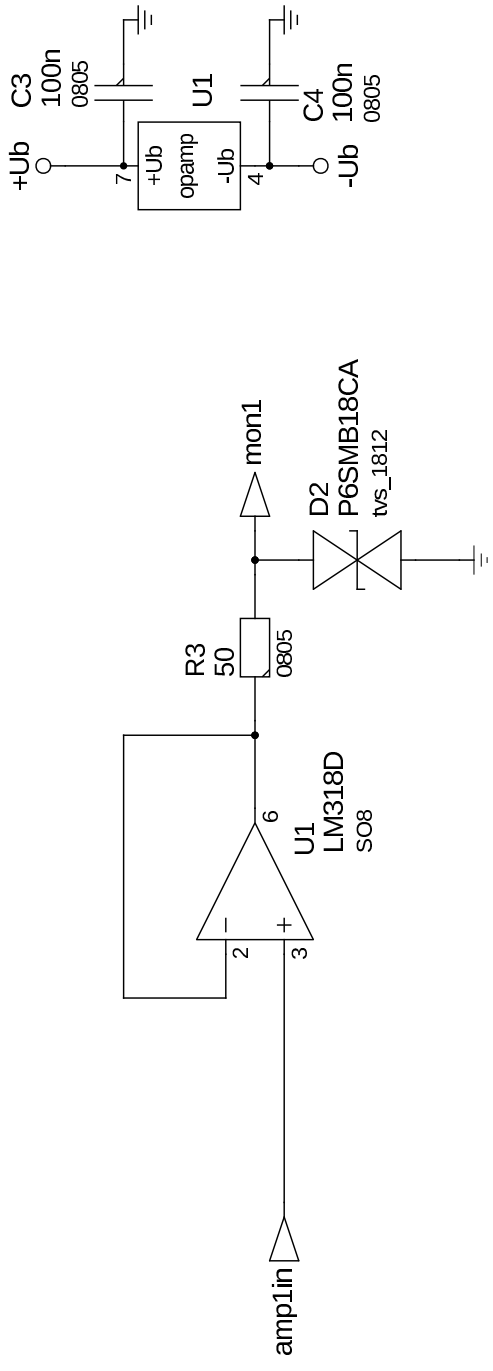
v1
REV.:

20.06.14
DATE:

3 / 5
PAGE:



TITLE: diffamp		REV.:	V1
		PROJECT:	30.06.14
FILE: diffampPDdiff.sch		DATE:	4/5
		DRAWN BY:	Matthew



<h1>monitorPDdiff</h1>		TITLE:	V1
		PROJECT:	REV.: 30.06.14
monitorPDdiff.sch		FILE:	DATE: 30.06.14
		DRAWN BY:	PAGE: 5/5

Matthew