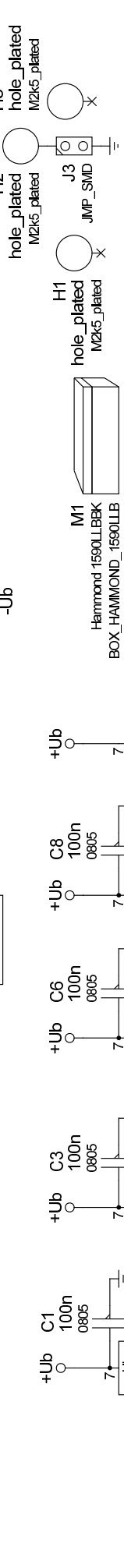
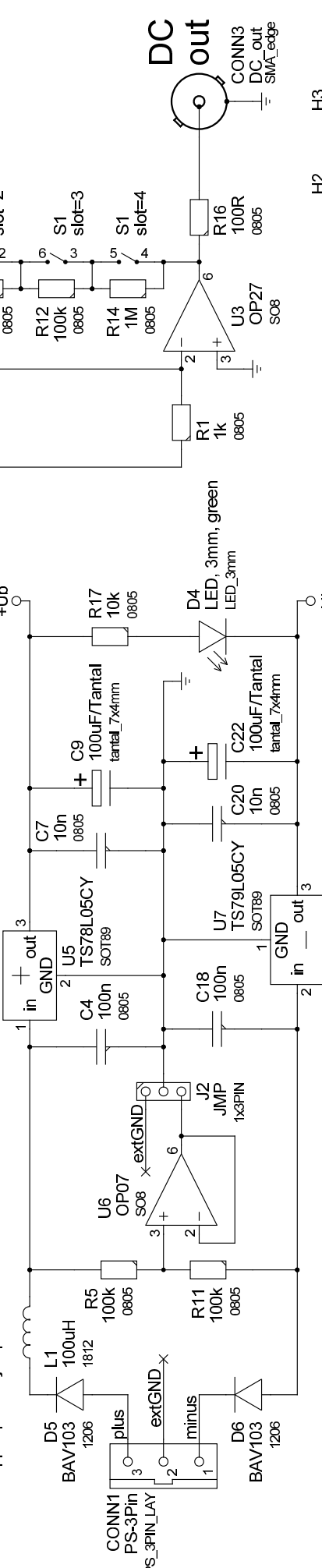


Supply alternatives

a) single supply, e.g. a wall-bug or a battery.
 -> connect lower pins of jumper J5
 supply must be floating, i.e. not connected to ground.

b) +/- supply with common ground
 --> connect upper pins of jumper J2



<h1>PD-ac</h1>		REV.:	6
		DATE:	04.07.13
TITLE <h2>PD-ac.sch</h2>		FILE:	-<(kmk)>-
		DRAWN BY:	1/1

