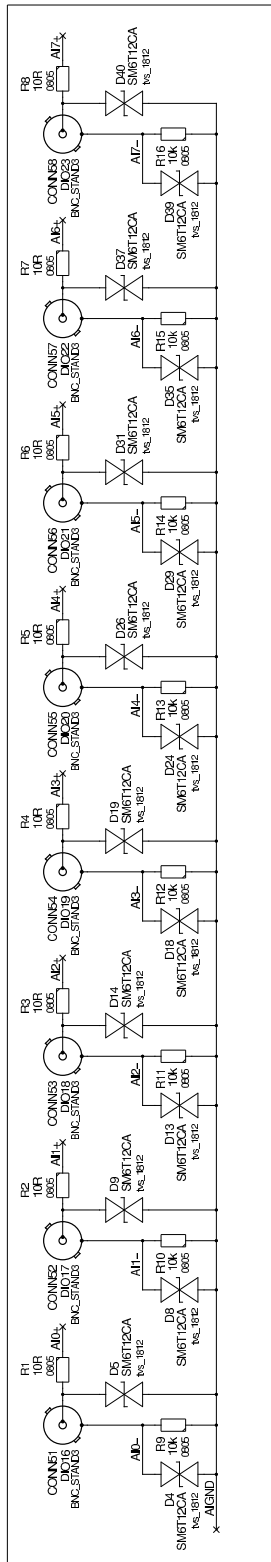
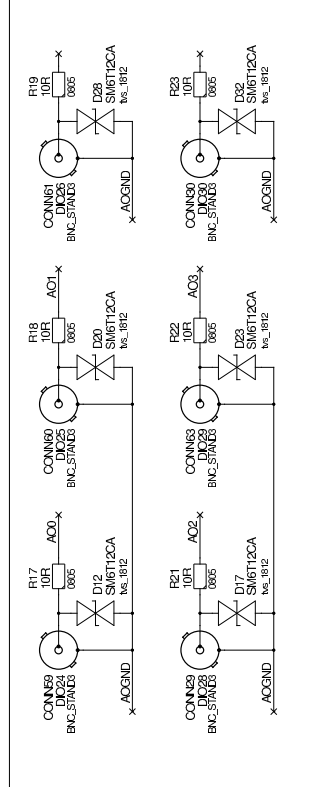


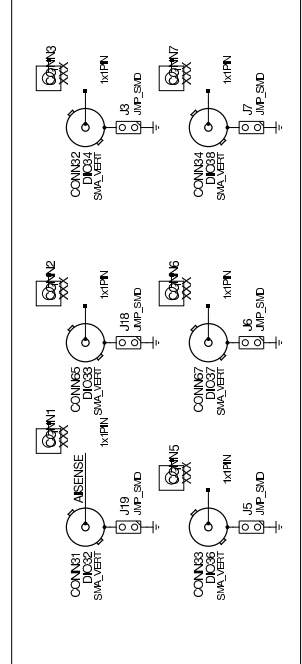
digital



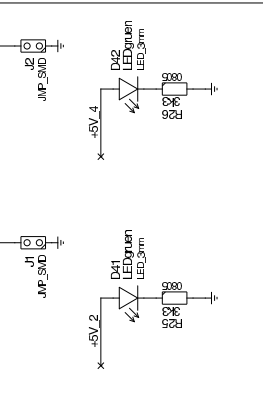
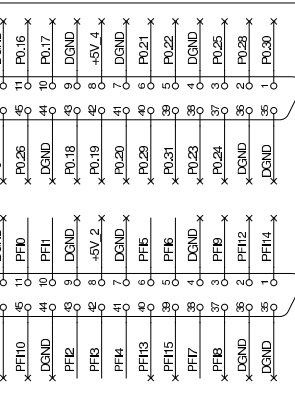
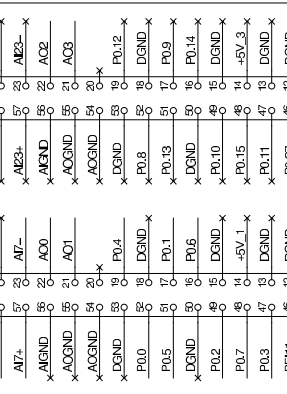
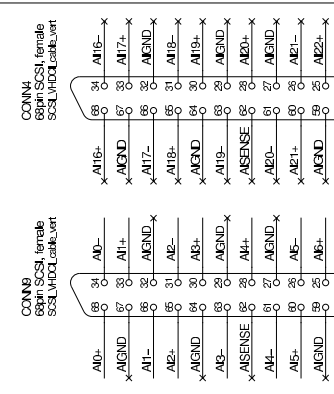
analog in



analog out



auxillary



<b>NI-Verteiler3</b>	
TITLE	ni-verteiler3.sch
DATE	25.08.11
DESIGNER	<-(krmk)->
PAGE	1 / 1

