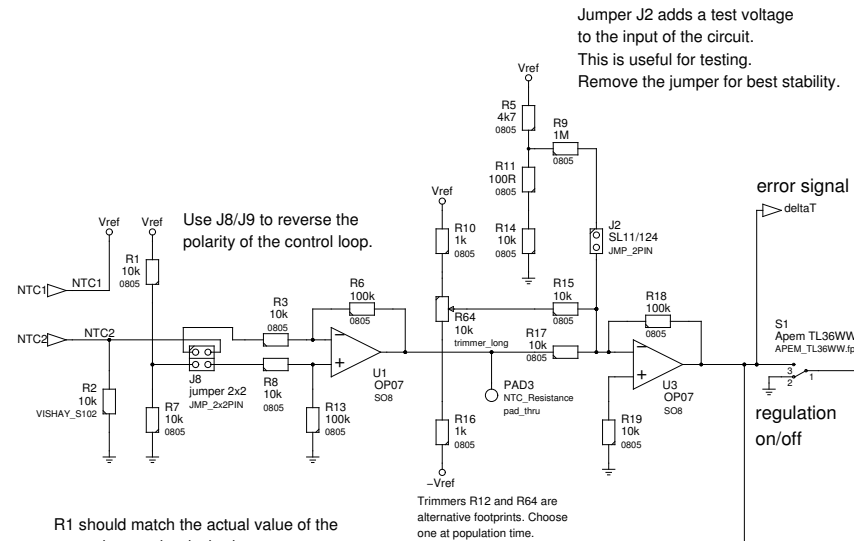


value in parenthesis ----> Do not populate  
 value with asterisk ----> value may have to be changed

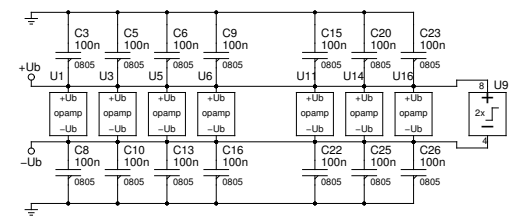
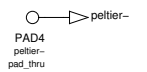
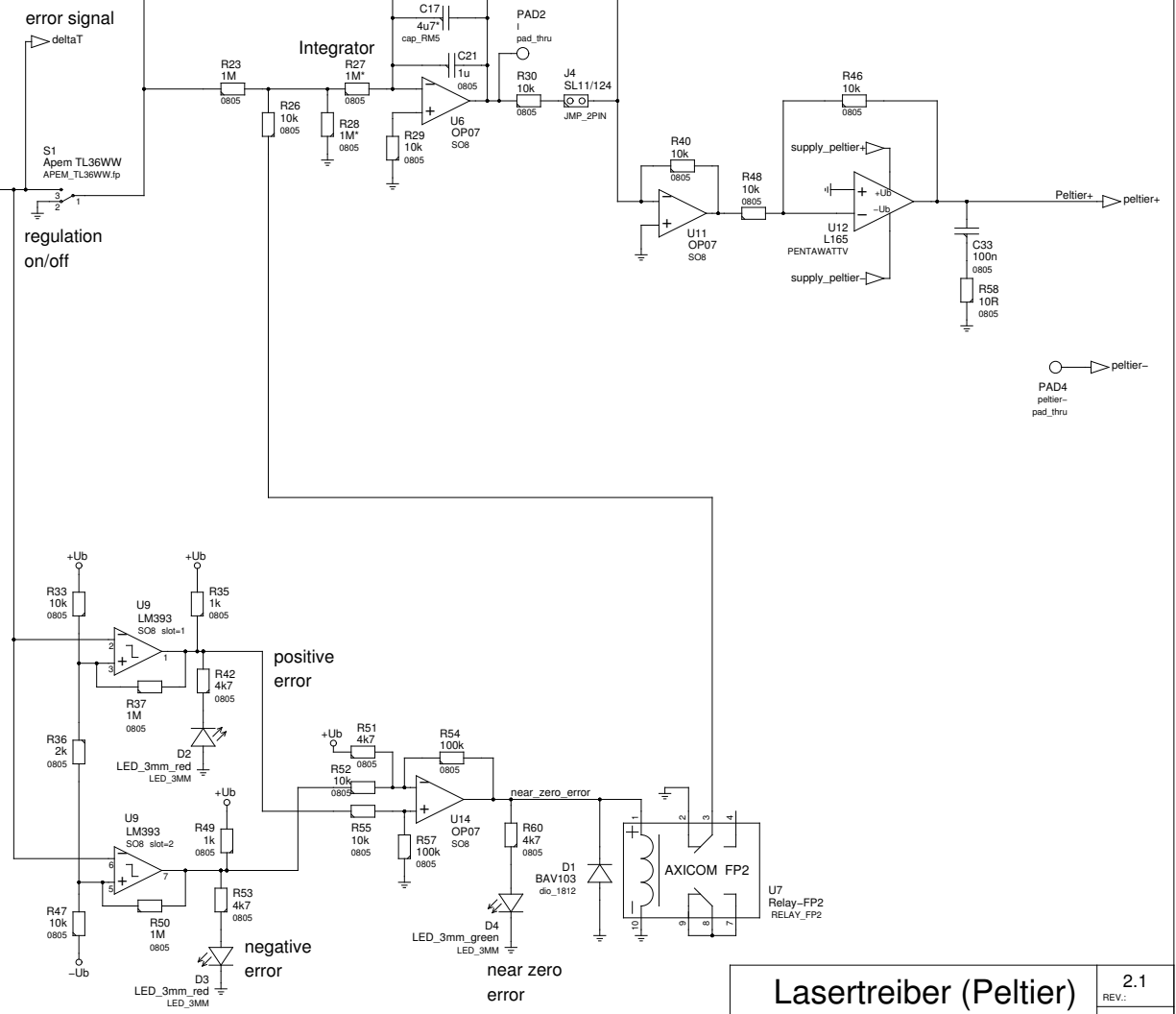
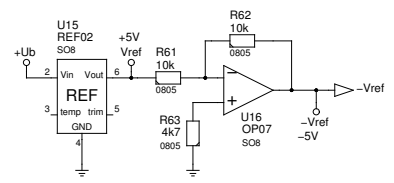
Output current is limited by U8 and U13 to  
 $I = 1.2 / R$   
 Choose R34 and R53 accordingly.

To disable current limiting:  
 1) remove R34 and R53.  
 2) close J6 an J7



R1 should match the actual value of the ntc resistor at the desired temperature.  
 R4 and R7 should match the nominal value of the ntc resistor.  
 Use a precision resistor at R2 instead of R4 for lower drift.

precision voltage reference



TITLE: lasertreiber_2_peltier.sch		2.1	
		REV.: 15.08.08	
DRAWN BY: <(kmk)>		DATE:	
PAGE: 2/4		PAGE: 2/4	

