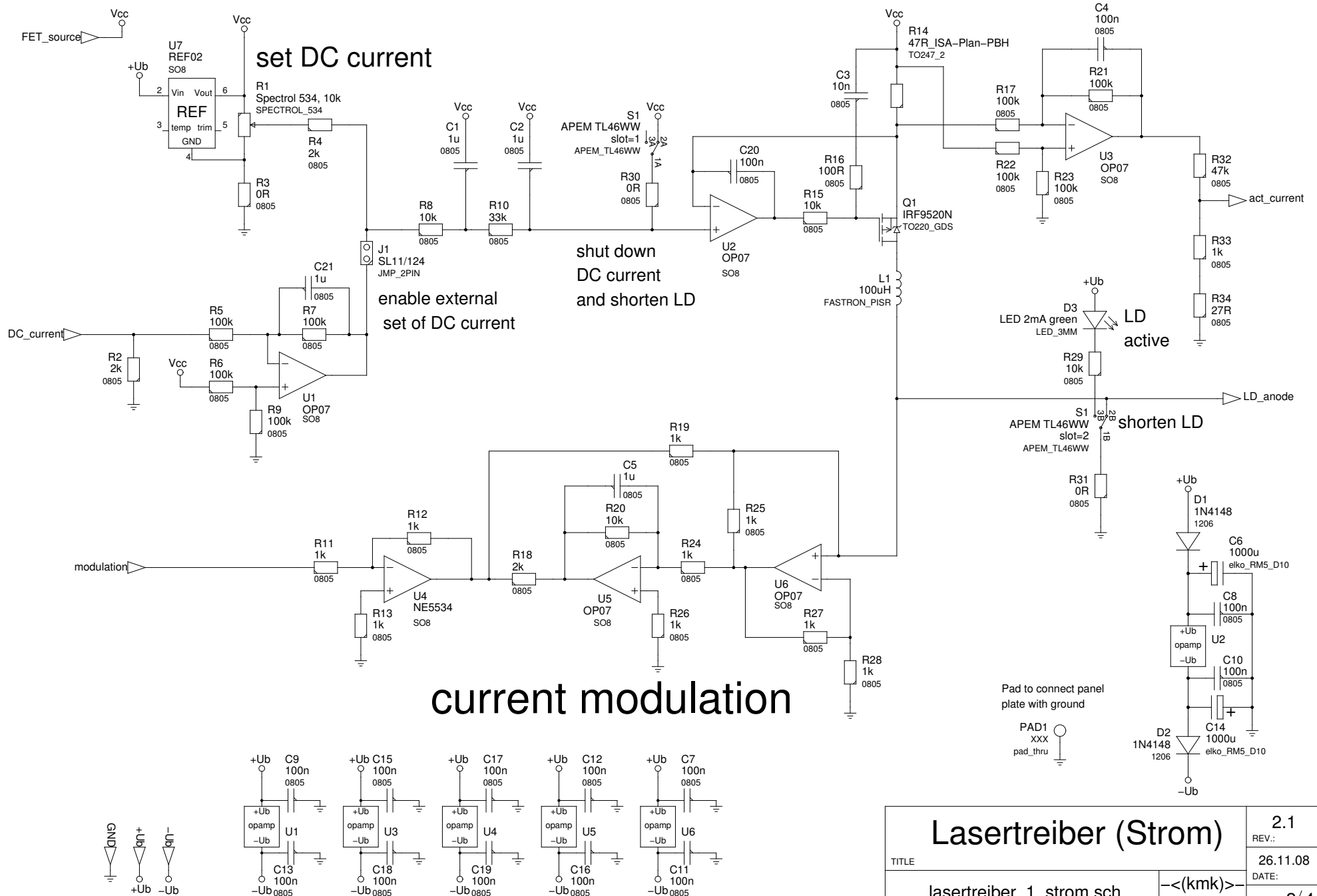


DC current



TITLE		Lasertreiber (Strom)		2.1	
		REV.:		26.11.08	
FILE:		lasertreiber_1_strom.sch		DRAWN BY: <(kmk)>	
DATE:		PAGE:		2/4	