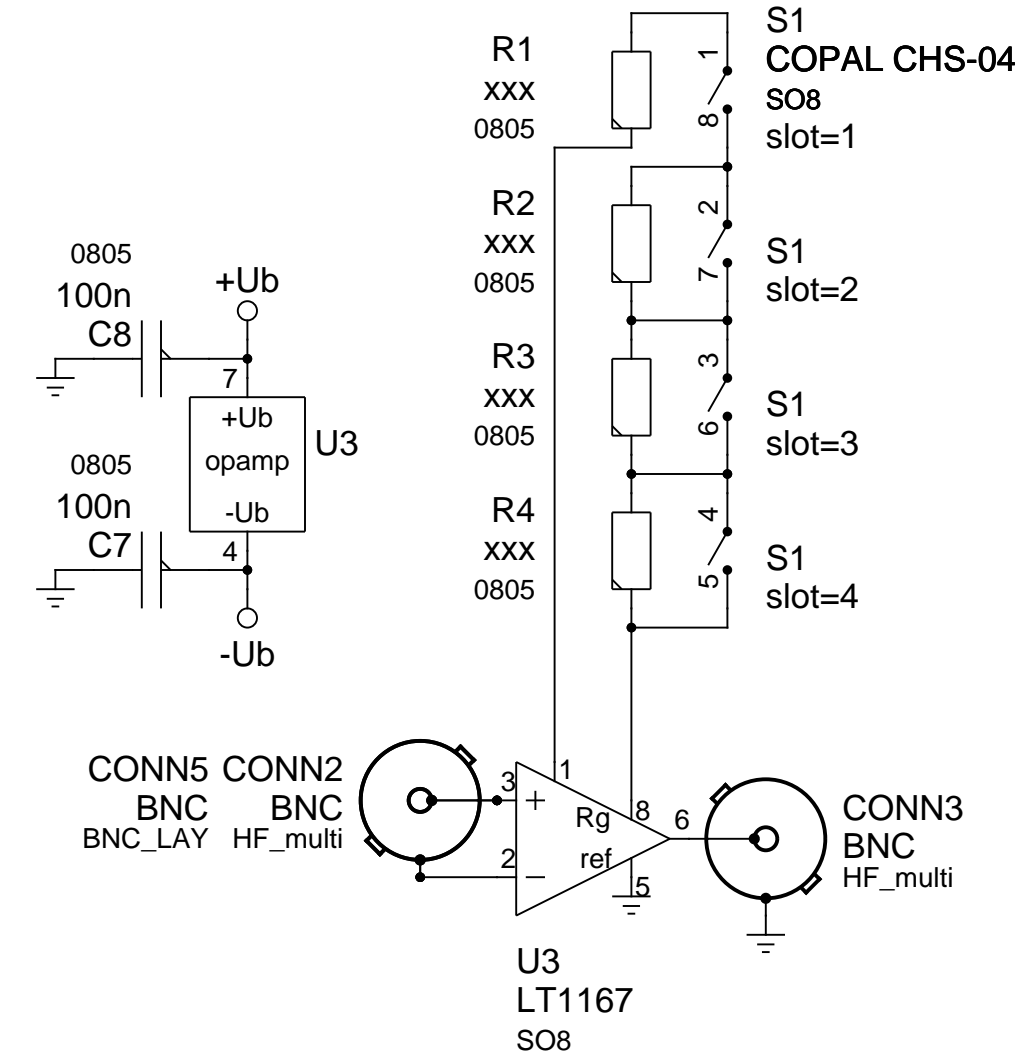
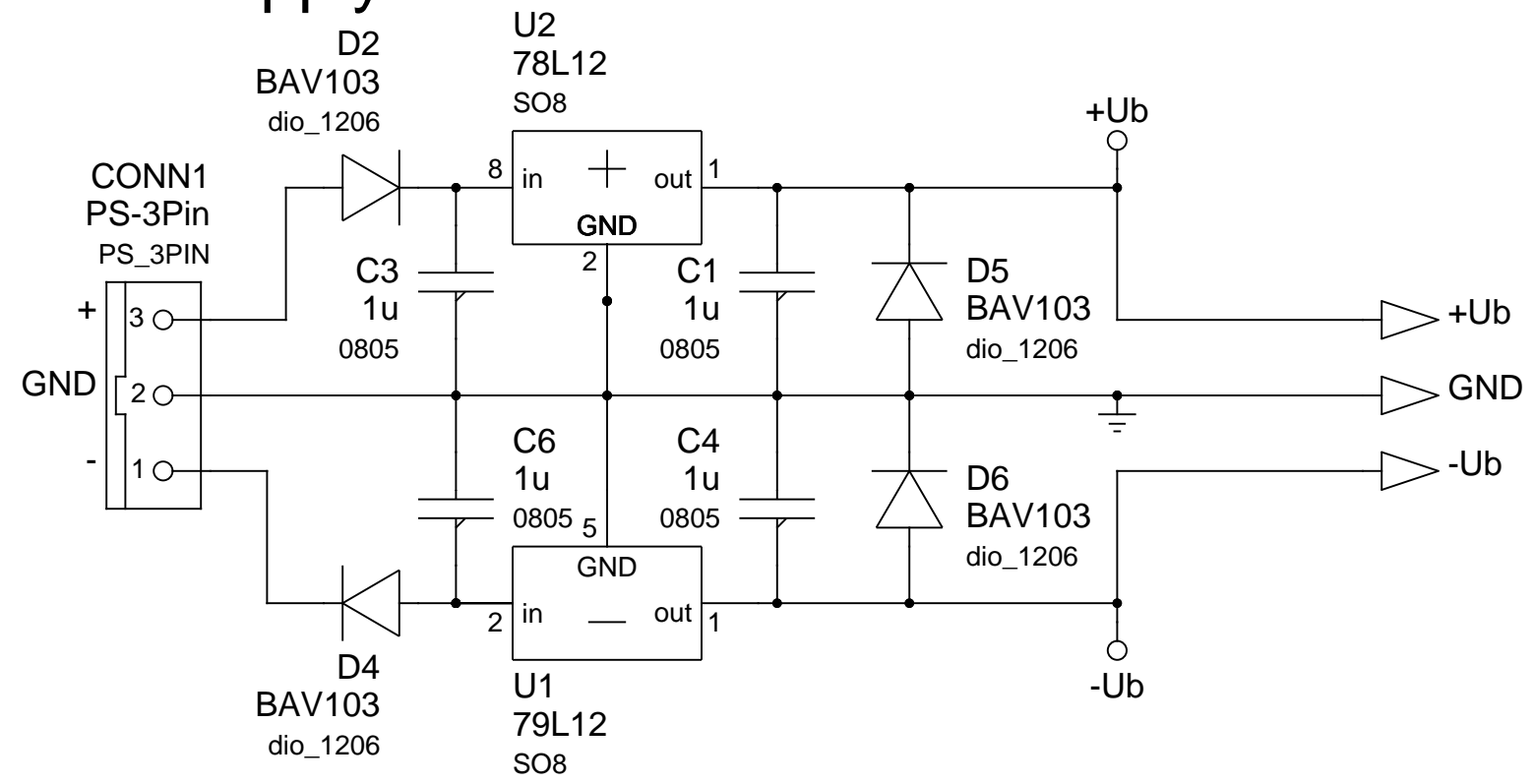


instrumentation amplifier

power supply



Differenzverstärker

0.1

REV.:

21.03.2012

DATE:

J. Matthias

DRAWN BY:

PAGE: n/m

TITLE

FILE:

diffamp-modul.sch