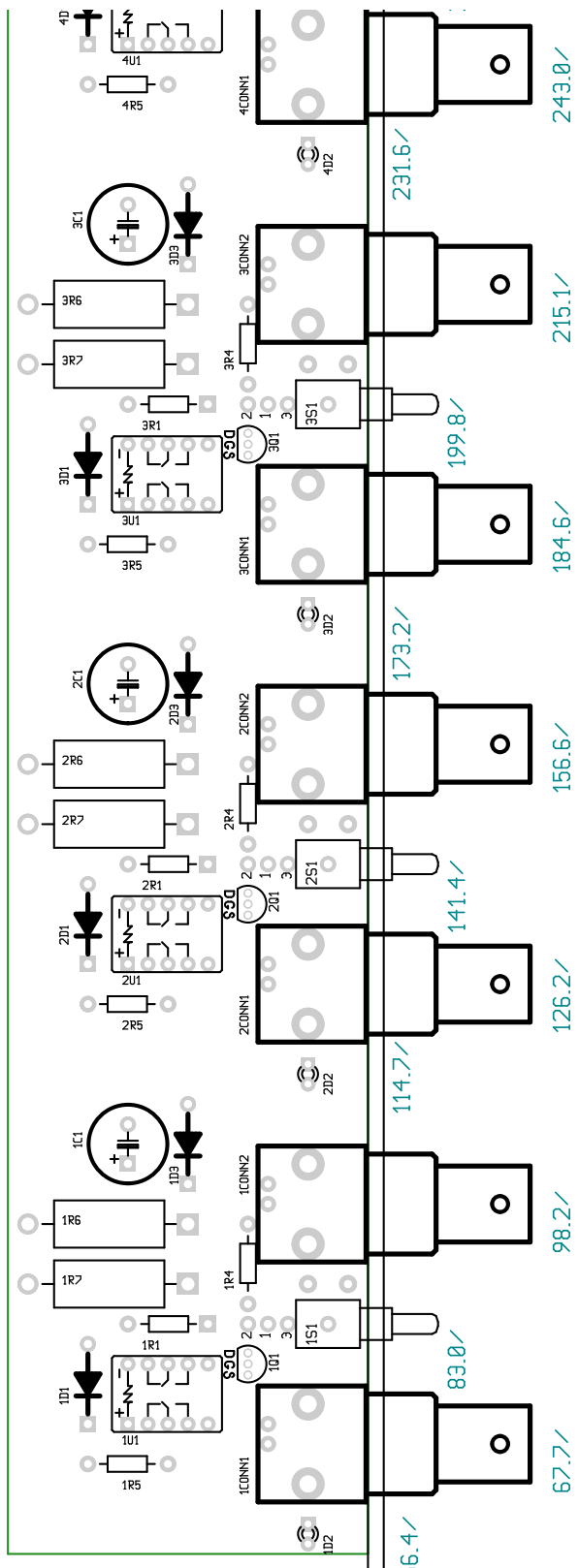


350 mm

46 mm

Ømm / Ømm



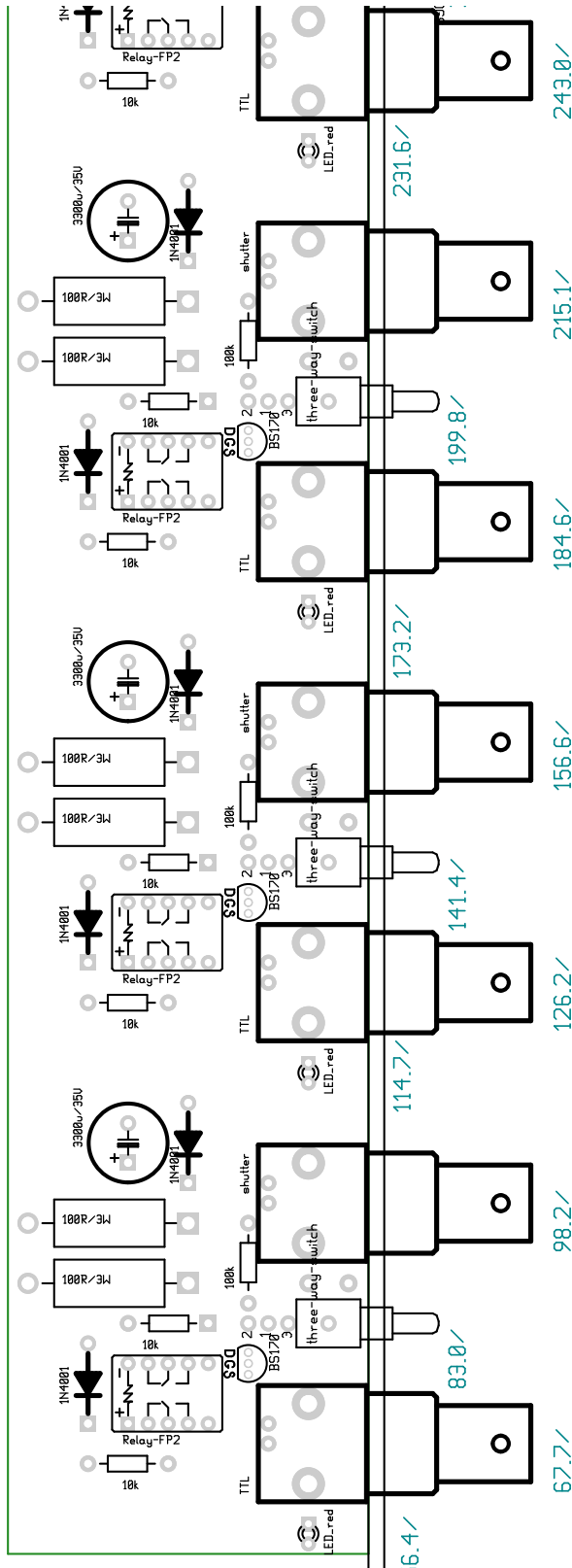


350 mm

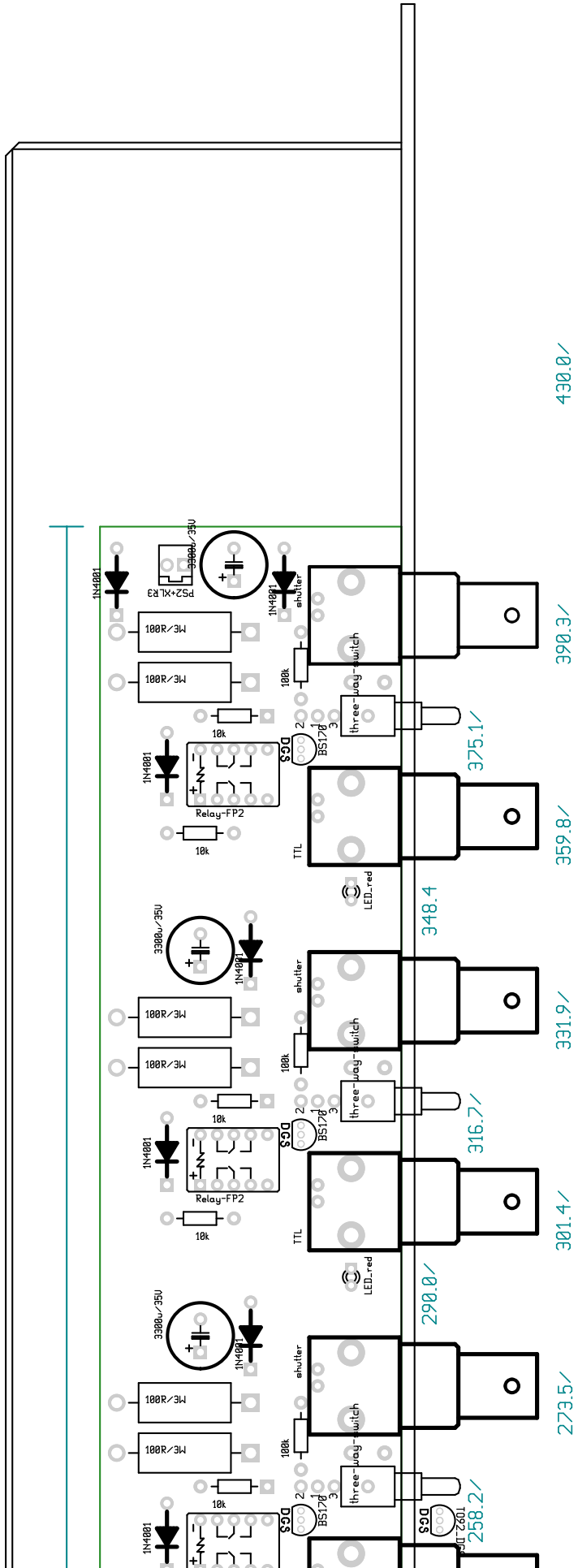
46 mm

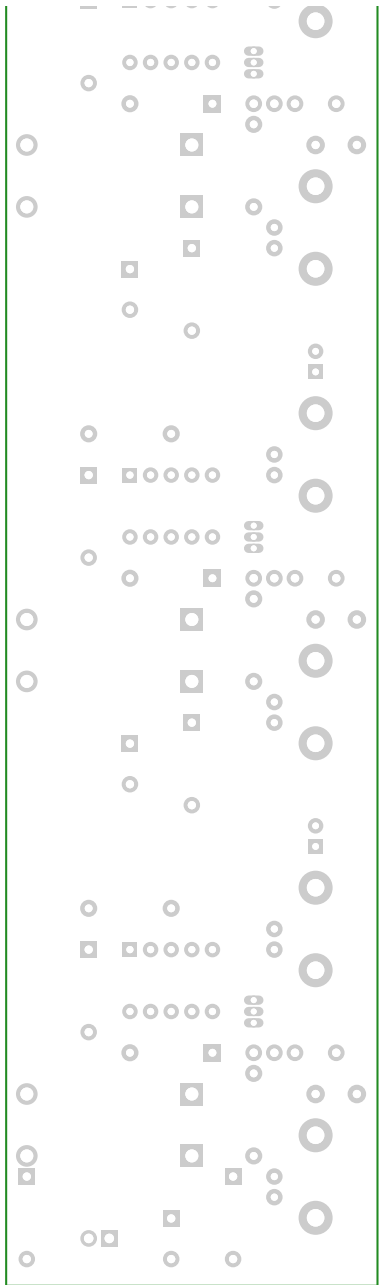
Daub.MGF4061

Ømm / Ømm

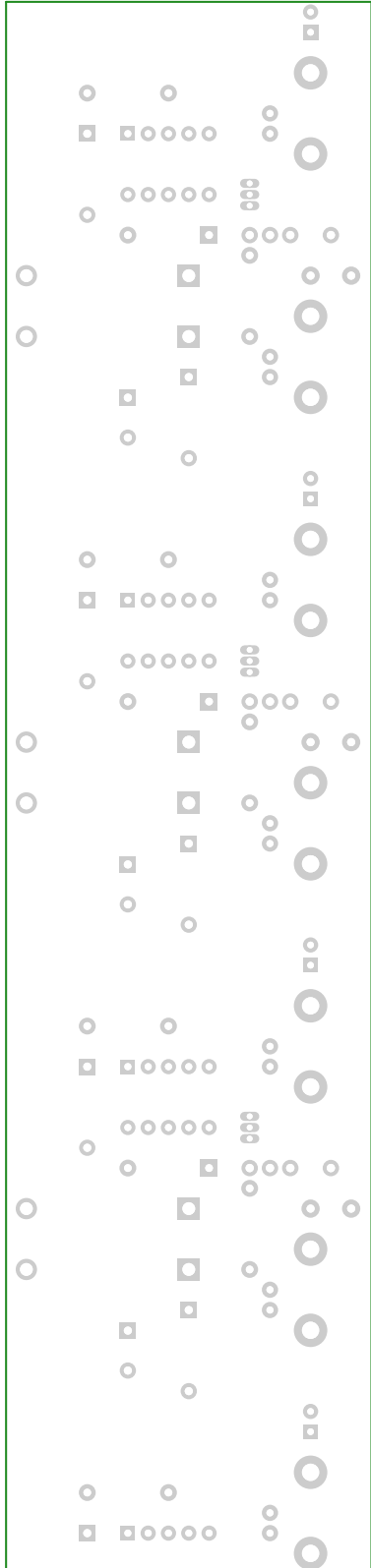


grid is mil

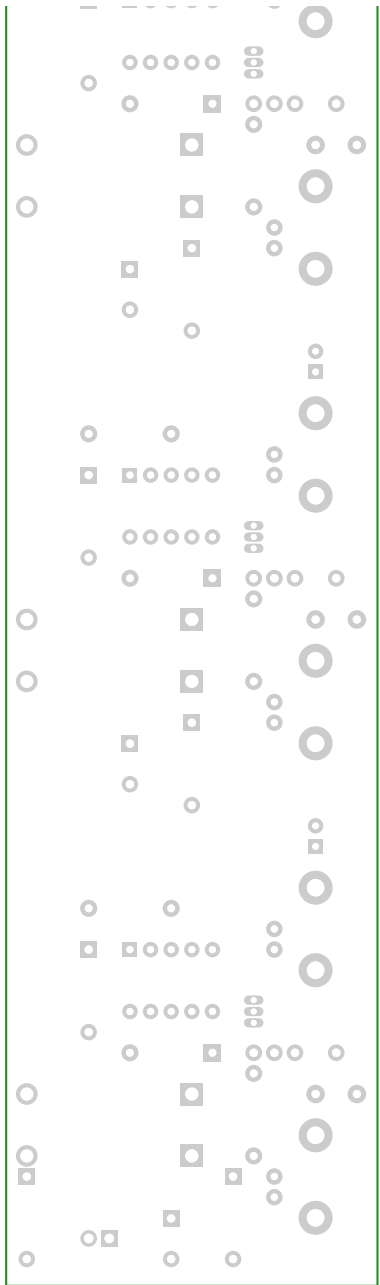




000

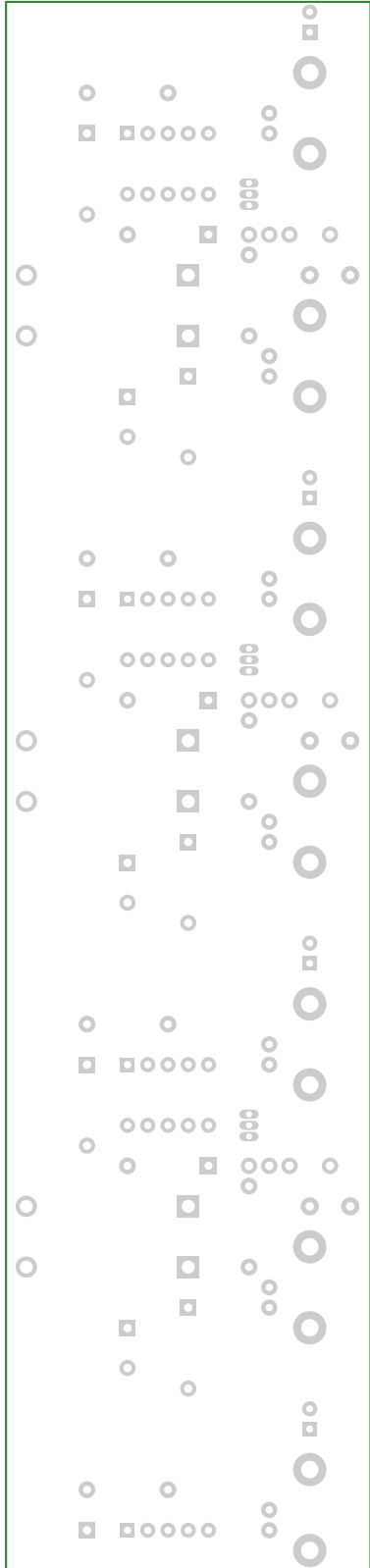


Grid (2, 1)



000

Grid (1, 1)



Grid (2, 1)