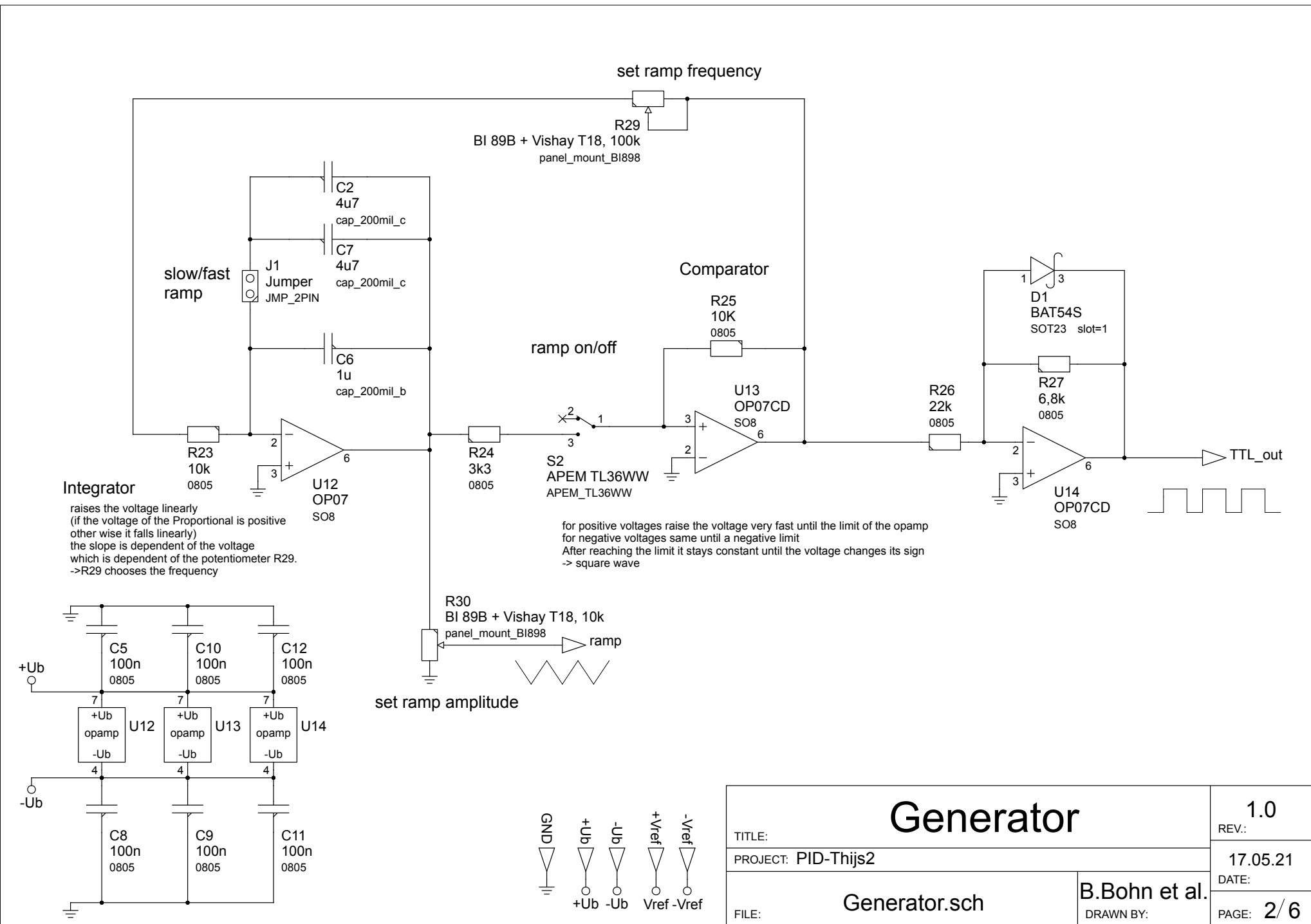


PID-Thijs2		1.0
TITLE:	REV.:	
PROJECT:	DATE:	
FILE:	DRAWN BY:	PAGE: 1/6



Generator

TITLE:

PROJECT: PID-Thijs2

FILE:

Generator.sch

B.Bohn et al.

DRAWN BY:

1.0

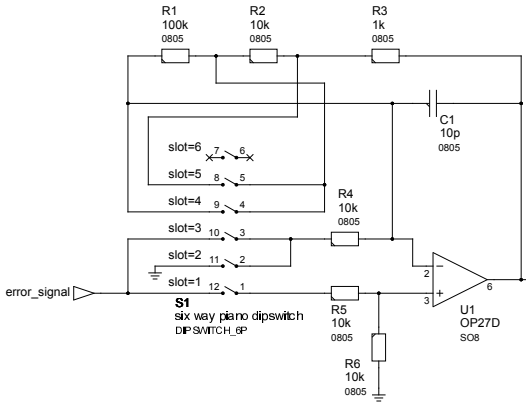
REV.:

17.05.21

DATE:

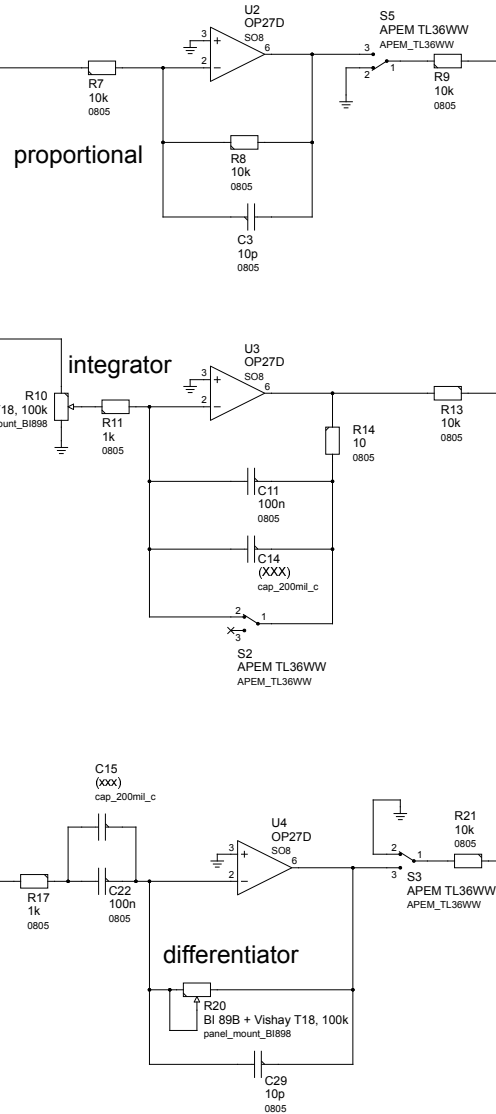
PAGE: 2/6

polarity and amplification times 0.1 / 1.1 / 11.1

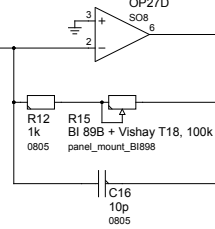


- 001xxx = non-inverting
- 110xxx = inverting
- x11xxx = forbidden (short circuit)
- 100xxx = times 0.5 non-inverting
- 000xxx = 0
- 010xxx = 0
- 101xxx = ?
- xxx00x = times 11.1
- xxx01x = times 10.1
- xxx10x = times 1.1
- xxx11x = times 0.1

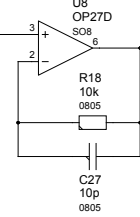
slow PID regulator



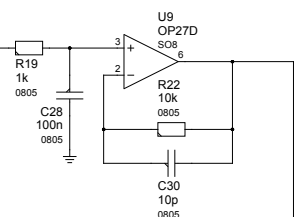
summing, inverting amplifier



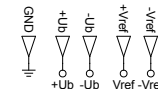
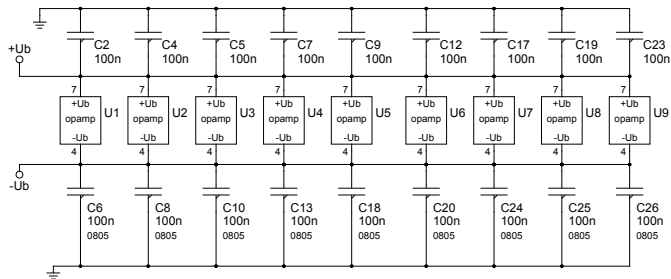
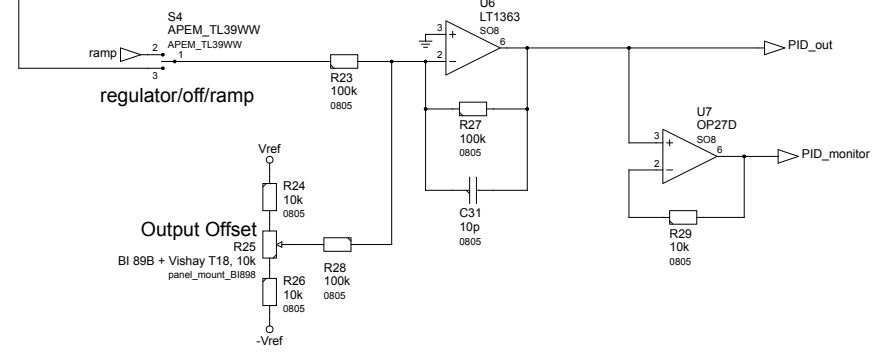
low pass filter 1



low pass filter 2



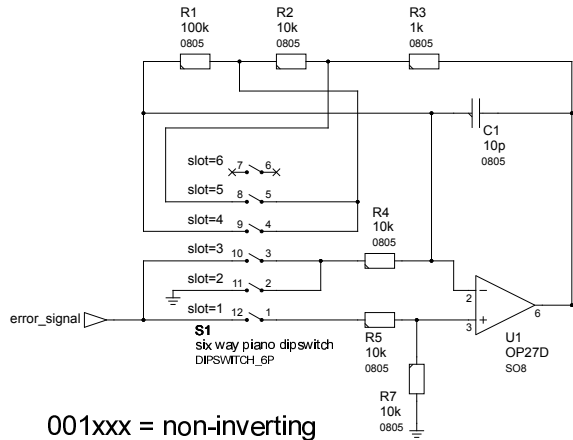
output stage



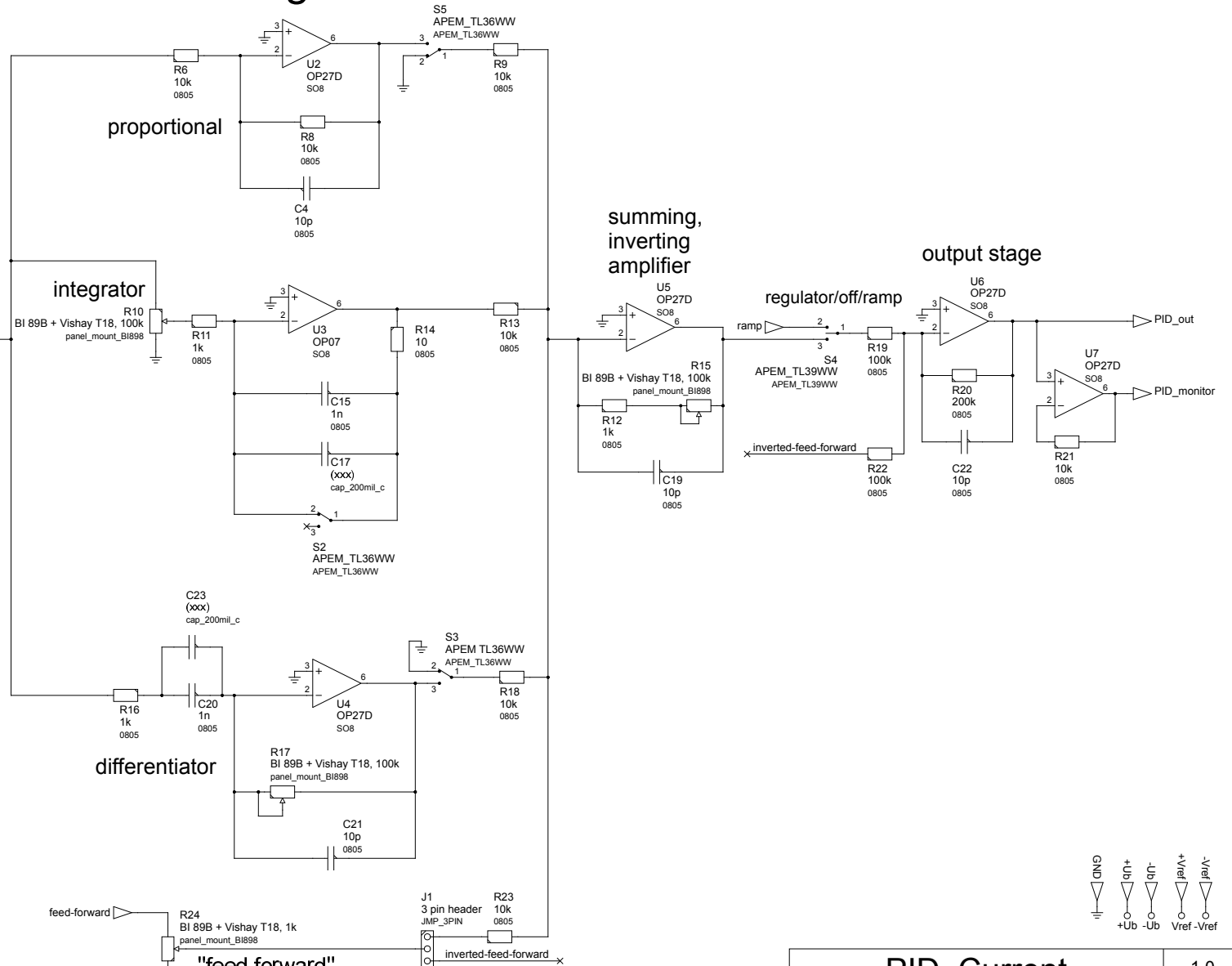
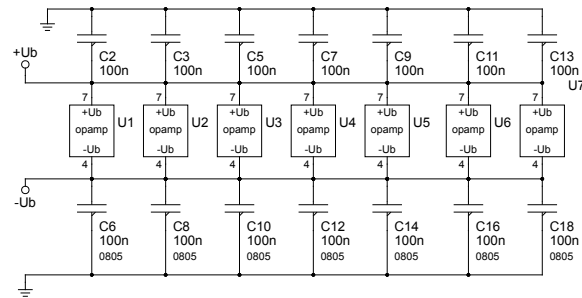
<p>Piezo</p> <p>TITLE: PROJECT: FILE: Piezo.sch</p>		<p>1.0</p> <p>REV: 30.04.21</p>
		<p>B.Bohn</p> <p>DRAWN BY: PAGE: 3/6</p>

PID regulator

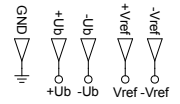
polarity and amplification times 0.1 / 1.1 / 11.1



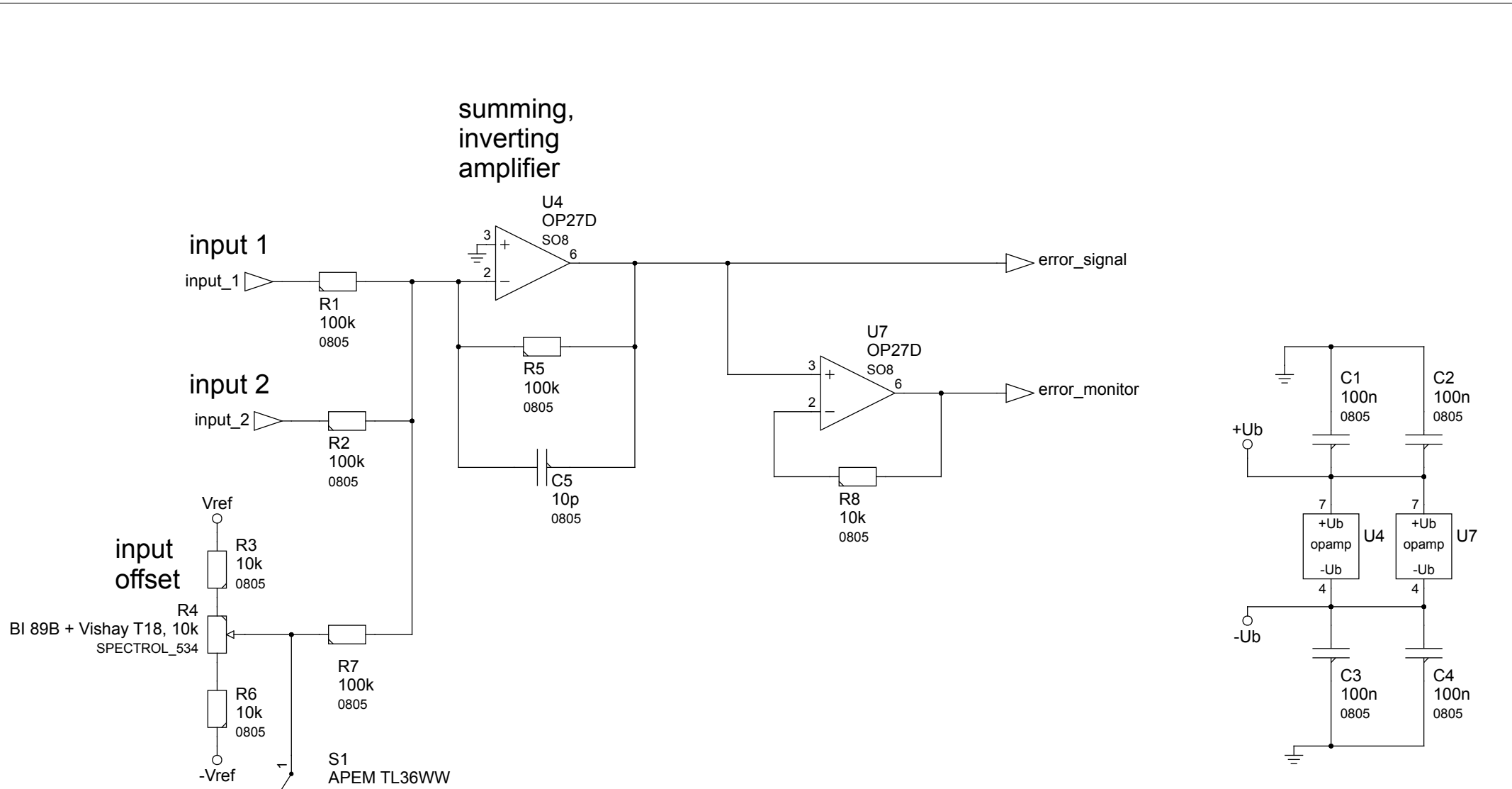
- 001xxx = non-inverting
- 110xxx = inverting
- x11xxx = forbidden (short circuit)
- 100xxx = times 0.5 non-inverting
- 000xxx = 0
- 010xxx = 0
- 101xxx = ?
- xxx00x = times 11.1
- xxx01x = times 10.1
- xxx10x = times 1.1
- xxx11x = times 0.1



feed-forward
 no jumper = piezo regulator does not affect current
 top position = piezo output adds to current output
 bottom position = piezo output subtracts from current output



PID_Current		1.0
TITLE:	PID-Thijs2	
PROJECT:	Current.sch	
FILE:	Current.sch	B.Bohn
REV.:	30.04.21	DRAWN BY:
DATE:	4/6	



summing,
inverting
amplifier

input 1

input 2

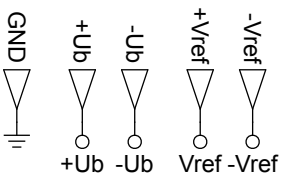
input
offset

error_signal

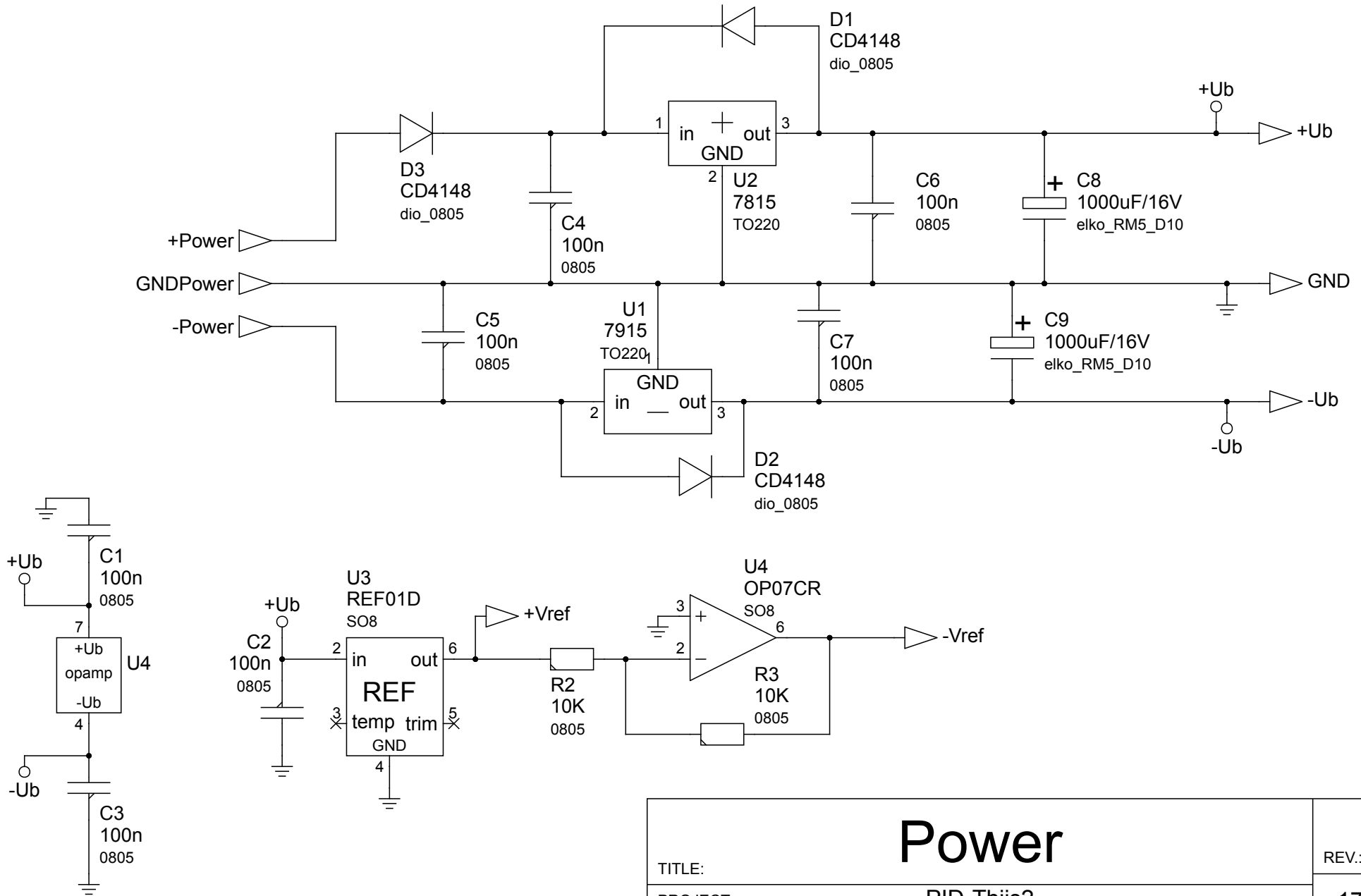
error_monitor

BI 89B + Vishay T18, 10k
SPECTROL_534

S1
APEM TL36WW
APEM_TL36WW



<h1>Preamp</h1>		1.0
TITLE:		REV.:
PROJECT: PID-Thijs2		17.05.21
DATE:		DATE:
FILE: Preamp.sch	DRAWN BY: B.Bohn	PAGE: 5/6



<h1>Power</h1>		1.0
TITLE:		REV.:
PROJECT: PID-Thijs2		17.05.21
DATE:		DATE:
FILE: Power.sch		DRAWN BY: B.Bohn
PAGE: 6/6		PAGE: 6/6