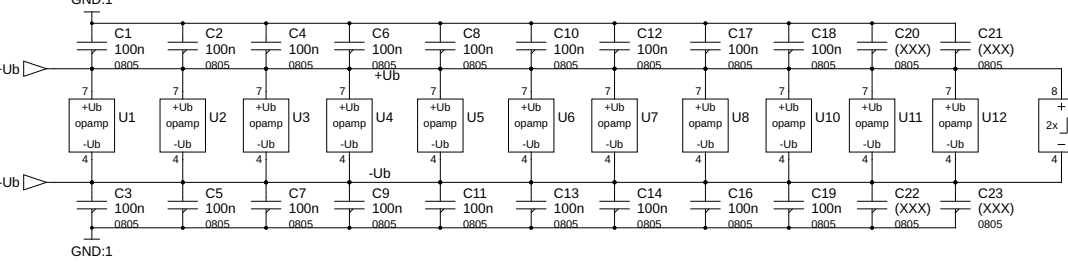
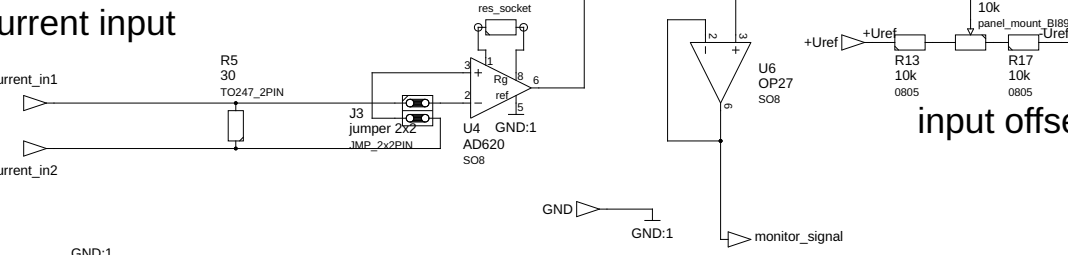
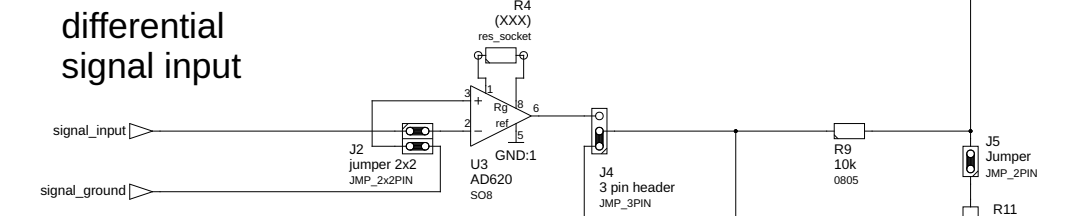
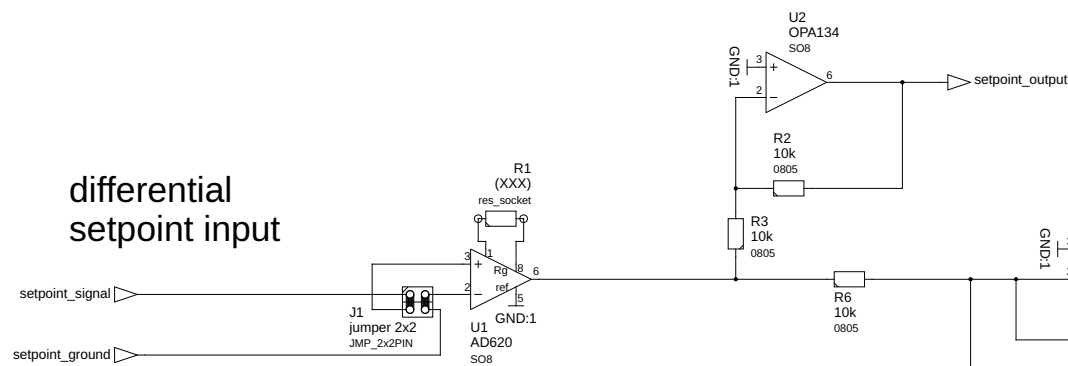


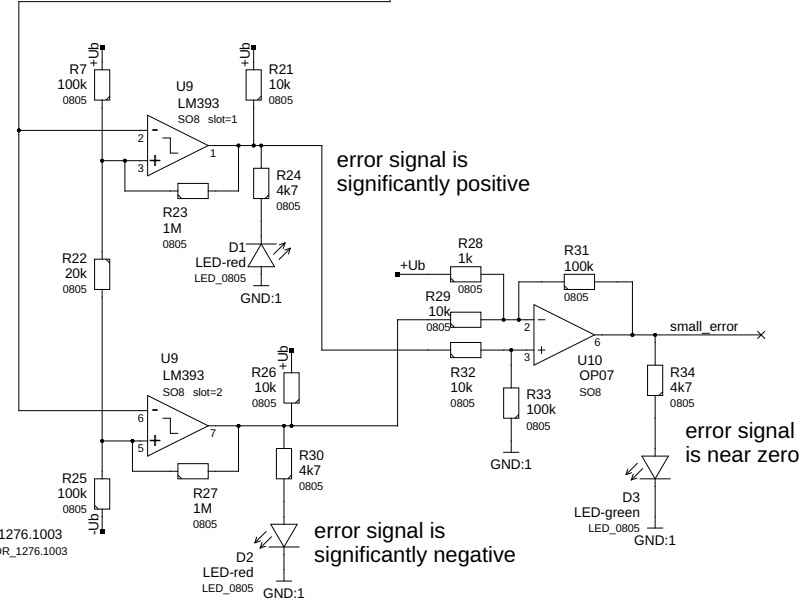
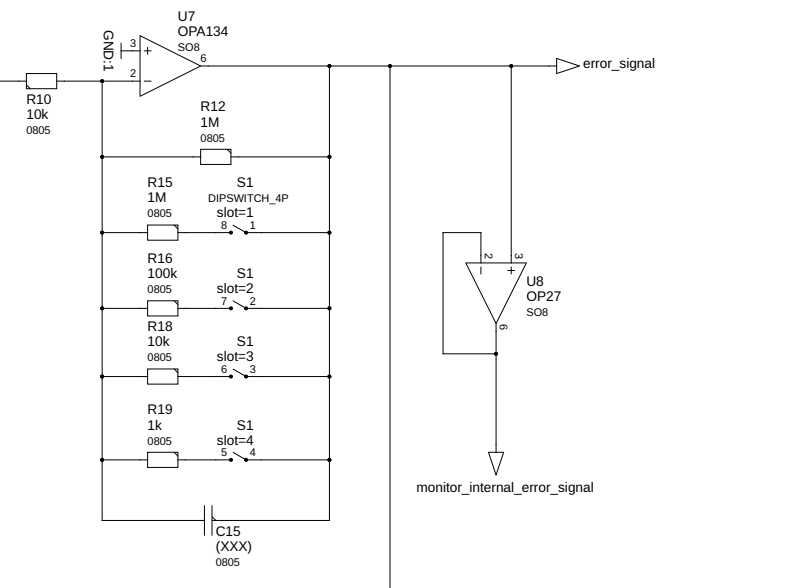
- H1
  - H2
  - H3
  - H4
  - H5
  - H6
  - H7
  - H8
  - H9
  - H10
  - H11
  - H12
  - H13
  - H14
  - H15
  - H16
  - H17
  - H18
  - H19
  - H20
  - H21
  - H22
  - H23
  - H24
  - H25
  - H26
  - H27
  - H28
  - H29
  - H30
  - H31
  - H32
  - H33
  - H34
  - H35
  - H36
  - H37
  - H38
  - H39
  - H40
  - H41
  - H42
  - H43
  - H44
  - H45
  - H46
  - H47
  - H48
  - H49
  - H50
  - H51
  - H52
  - H53
  - H54
  - H55
  - H56
  - H57
  - H58
  - H59
  - H60
  - H61
  - H62
  - H63
  - H64
  - H65
  - H66
  - H67
  - H68
  - H69
  - H70
  - H71
  - H72
  - H73
  - H74
  - H75
  - H76
  - H77
  - H78
  - H79
  - H80
  - H81
  - H82
  - H83
  - H84
  - H85
  - H86
  - H87
  - H88
  - H89
  - H90
  - H91
  - H92
  - H93
  - H94
  - H95
  - H96
  - H97
  - H98
  - H99
  - H100
  - H101
- M1 DAUB MGF44061  
BOX\_DAUB\_MGF44061

<h1>PIDmareike</h1>		v2.1
TITLE:		REV.:
PROJECT: PIDmareike		20.12.18
DATE:		DATE:
FILE: pidmareike_v2.sch	DRAWN BY: Mareike	PAGE: 1/6

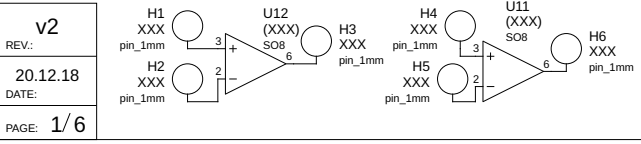
# pick off setpoint signal



# adjustable amplification

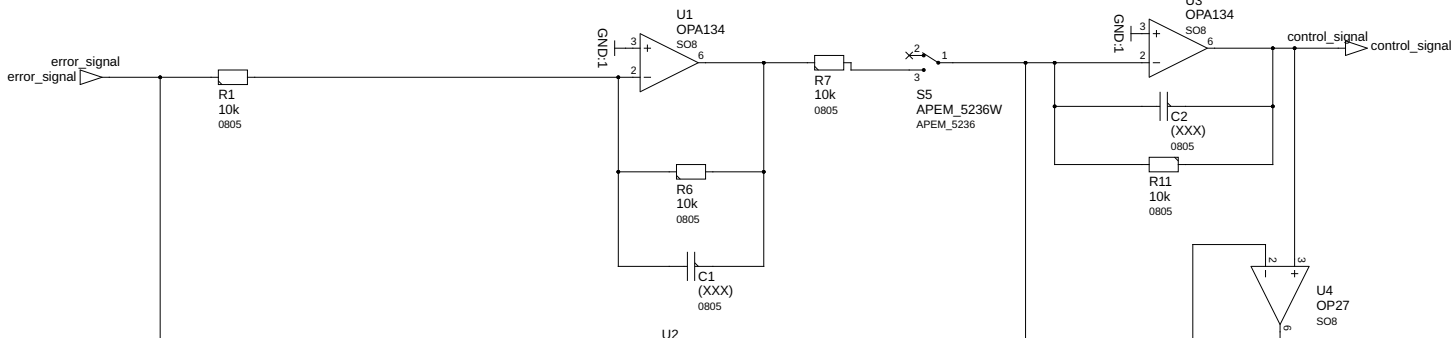


<b>error signal generation v2</b>		REV: v2
TITLE:	PIDmareike	20.12.18
PROJECT:	Mareike	DATE:
FILE: generation_error_signal_v2.sch	DRAWN BY:	PAGE: 1/6

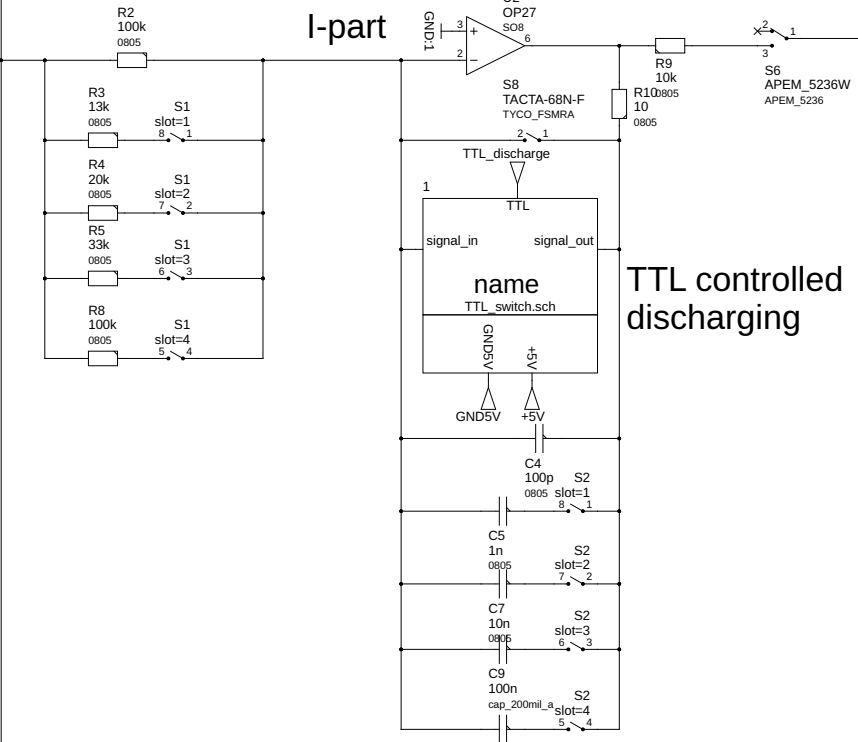


### P-part

### Adder

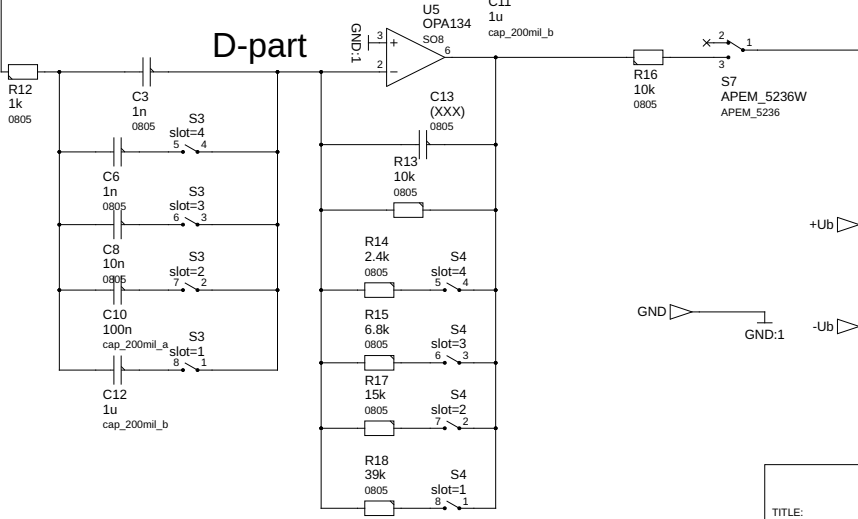


### I-part

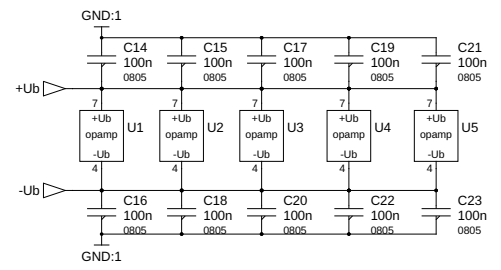


TTL controlled discharging

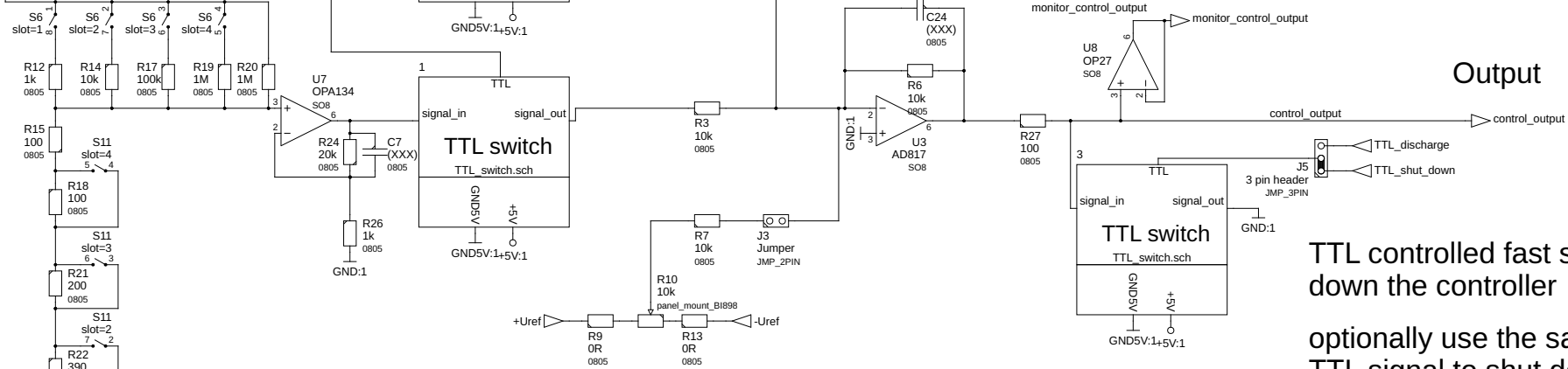
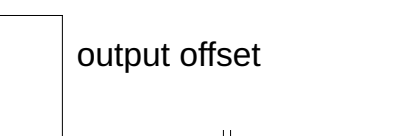
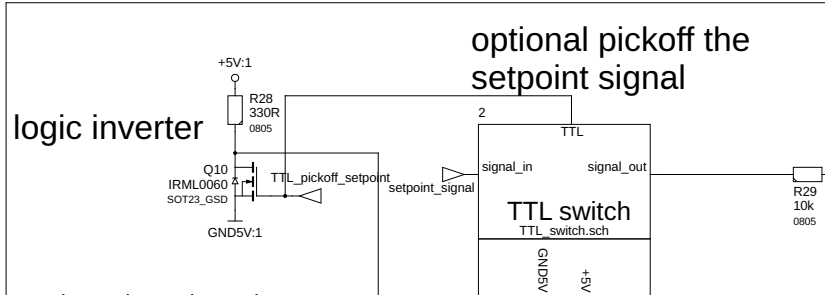
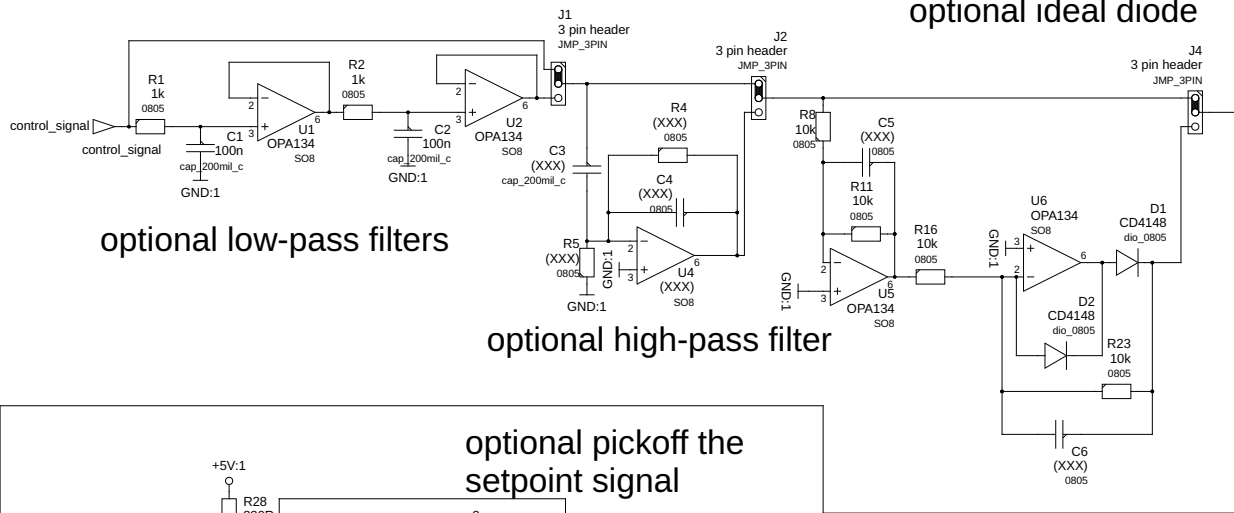
### D-part



### supply of opamps

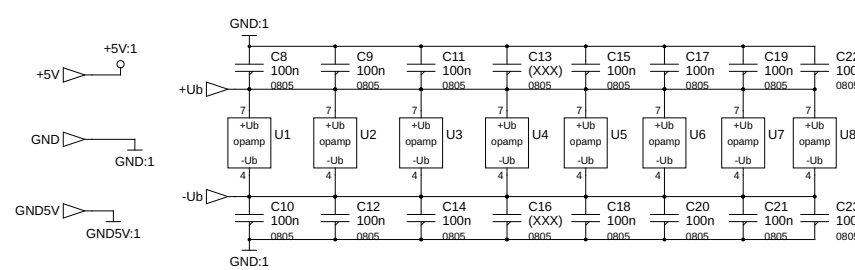


<b>PID v2</b>		v2
TITLE:	PIDmareike	
PROJECT:	PIDmareike	
FILE:	PID_v2.sch	Mareike
REV.:	20.12.18	DATE:
		DRAWN BY:
		PAGE:



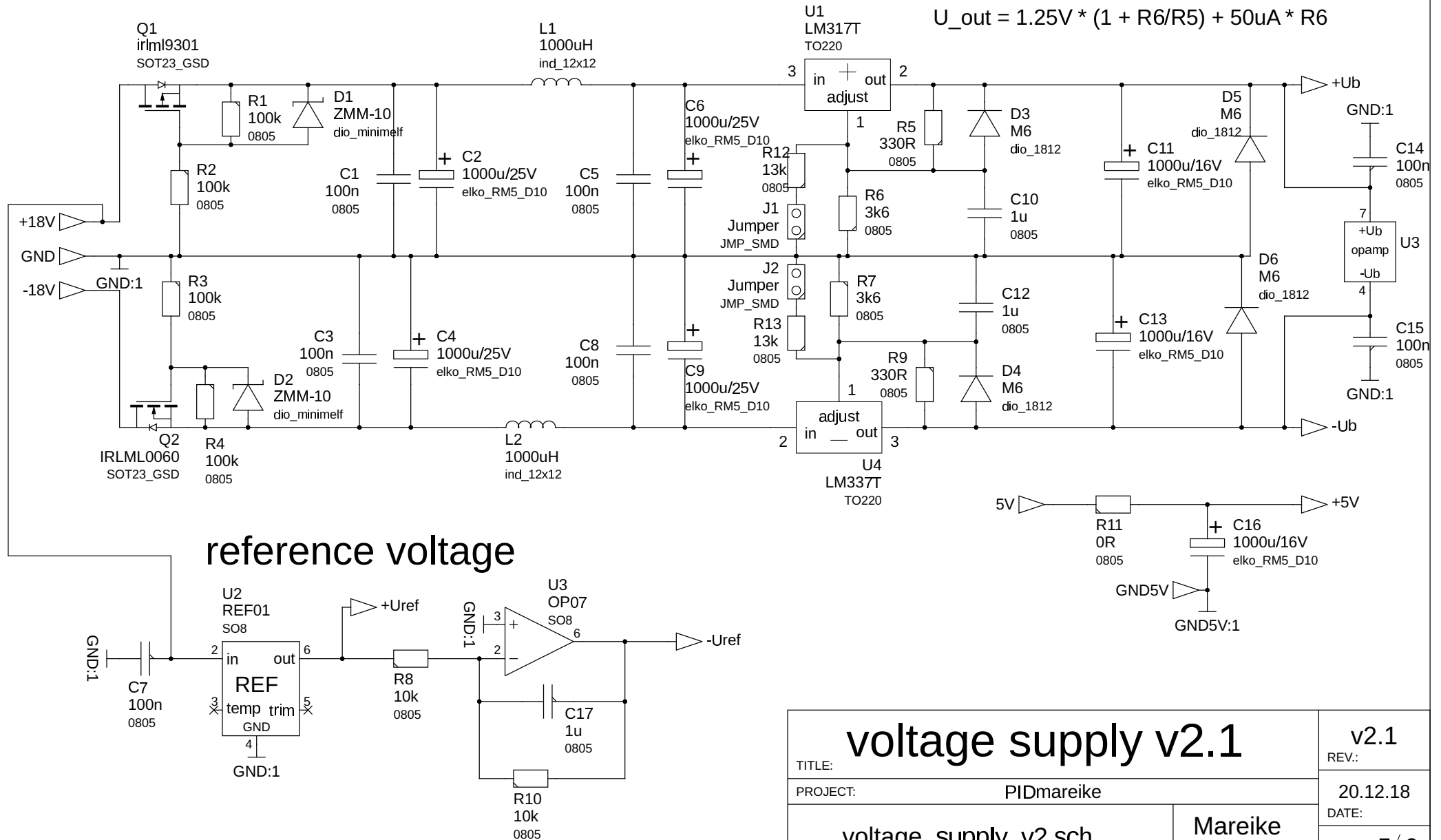
TTL controlled fast shut down the controller

optionally use the same TTL signal to shut down the output and discharge the integrator, too

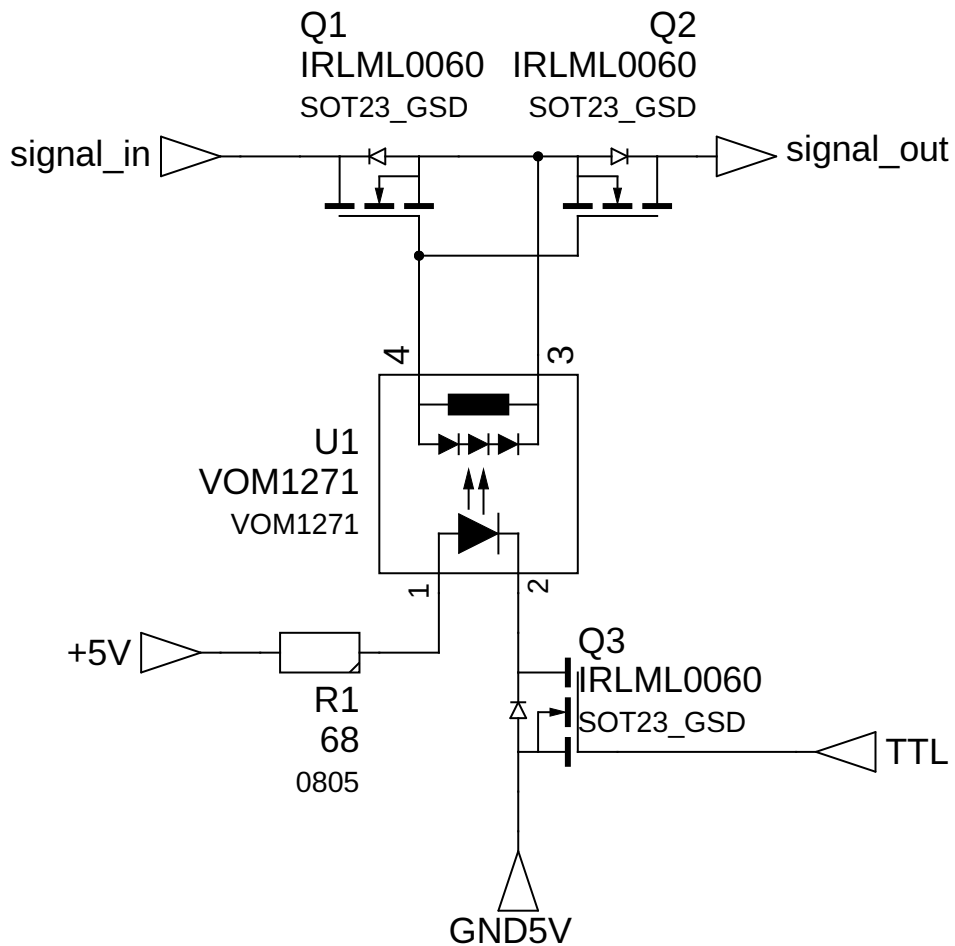


<b>Output Stage v2.1</b>		v2.1
TITLE:	PIDmareike	REV: 20.12.18
PROJECT:	Mareike	DATE:
FILE: output_stage_v2.sch	DRAWN BY:	PAGE: 3/6

# Supply



<b>voltage supply v2.1</b>		<b>v2.1</b>
TITLE:		REV.:
PROJECT:	PIDmareike	DATE: 20.12.18
FILE: voltage_supply_v2.sch	Mareike	PAGE: 5/6
	DRAWN BY:	



# TTL Switch

TITLE:

v1

REV.:

PROJECT:

PIDmareike

20.12.18

DATE:

FILE:

TTL\_switch.sch

Mareike

DRAWN BY:

PAGE: 6 / 6