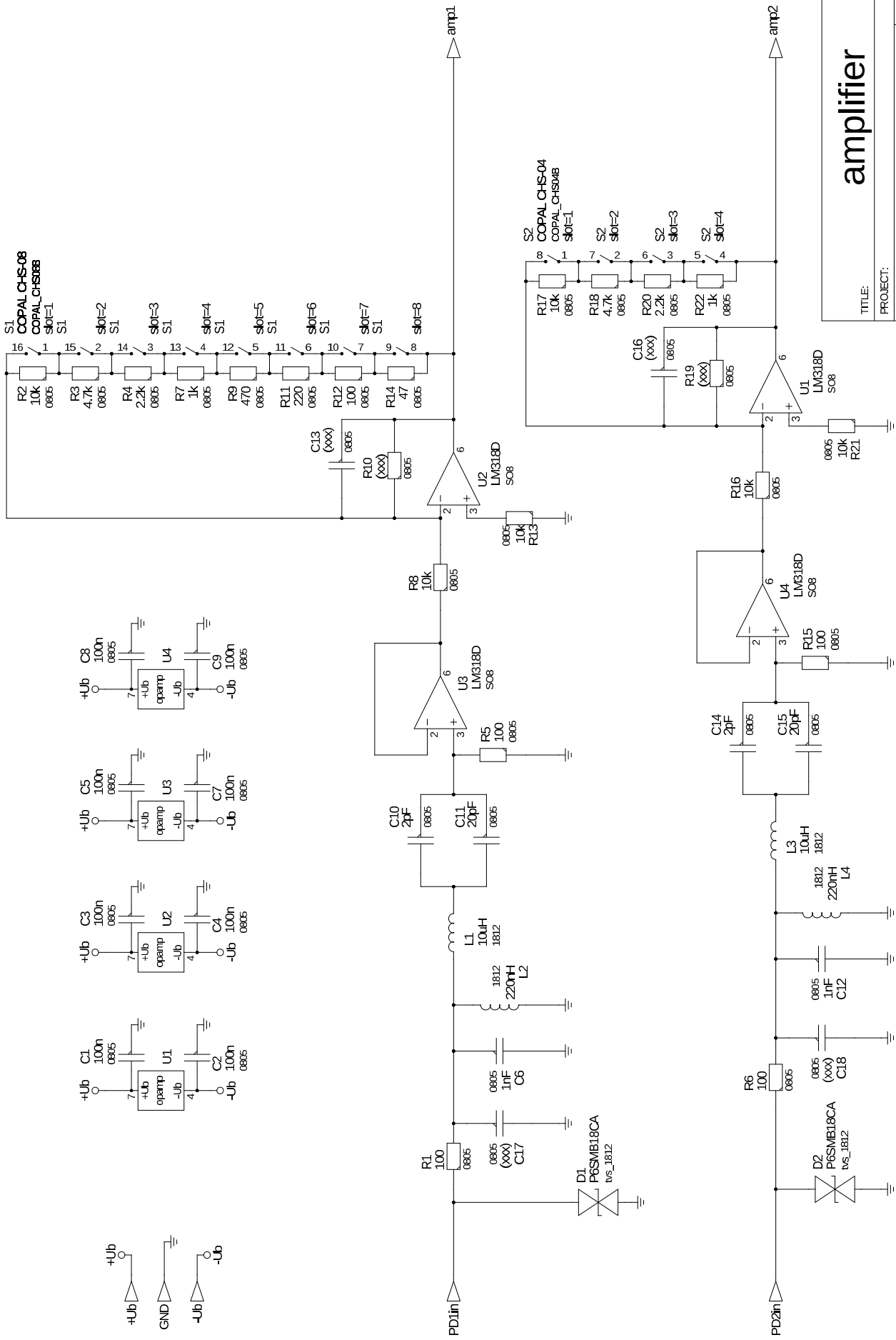


PDdiff

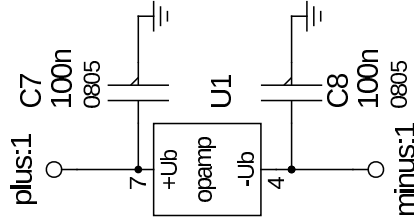
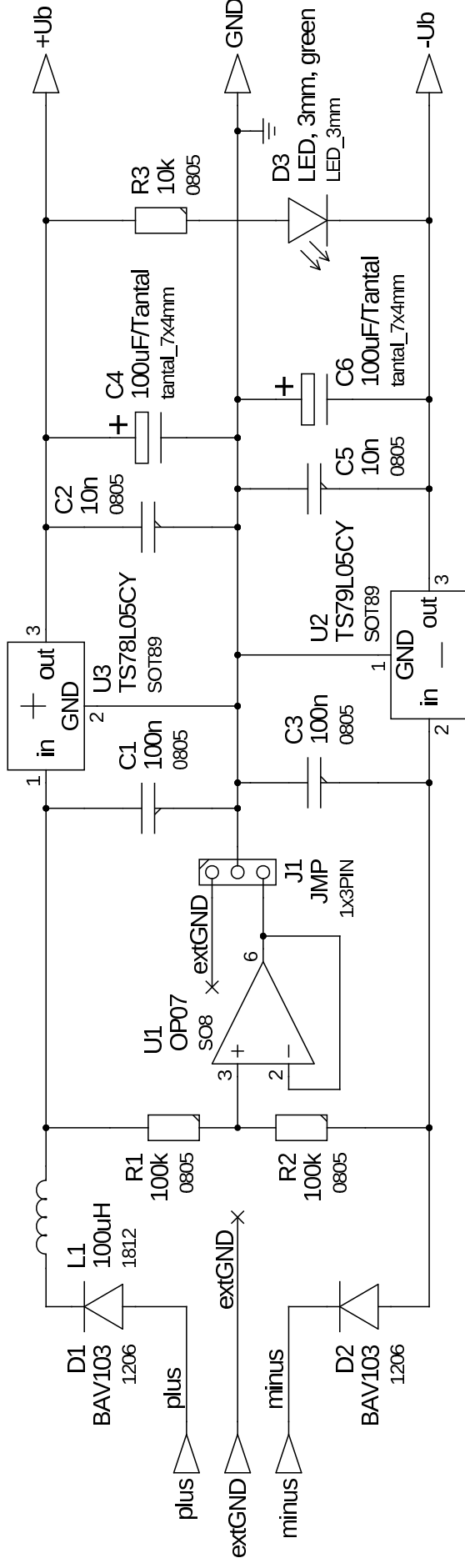
TITLE:	0.1
PROJECT:	REV.: 20.06.14
FILE:	DATE: 20.06.14
	PAGE: 1 / 5

PDdiff.sch
Matthew
DRAWN BY:



TITLE: amplifier		REV.: v1
PROJECT: amplifierPDdiff.sch		DATE: 20.06.14
FILE:		PAGE: 2/5

Matthew
DRAWN BY:



supply

TITLE:

PROJECT:

FILE:

supplyPDdiff.sch

Matthew
DRAWN BY:

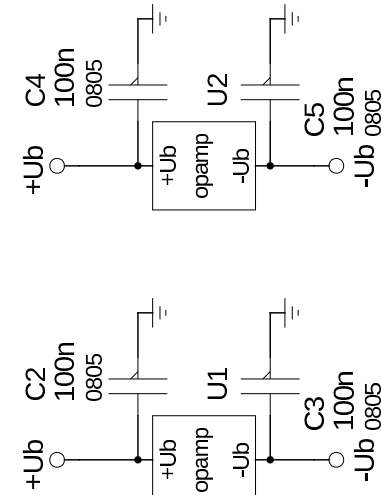
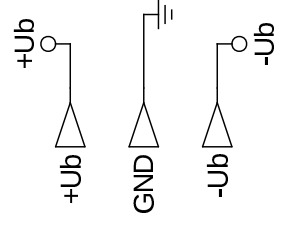
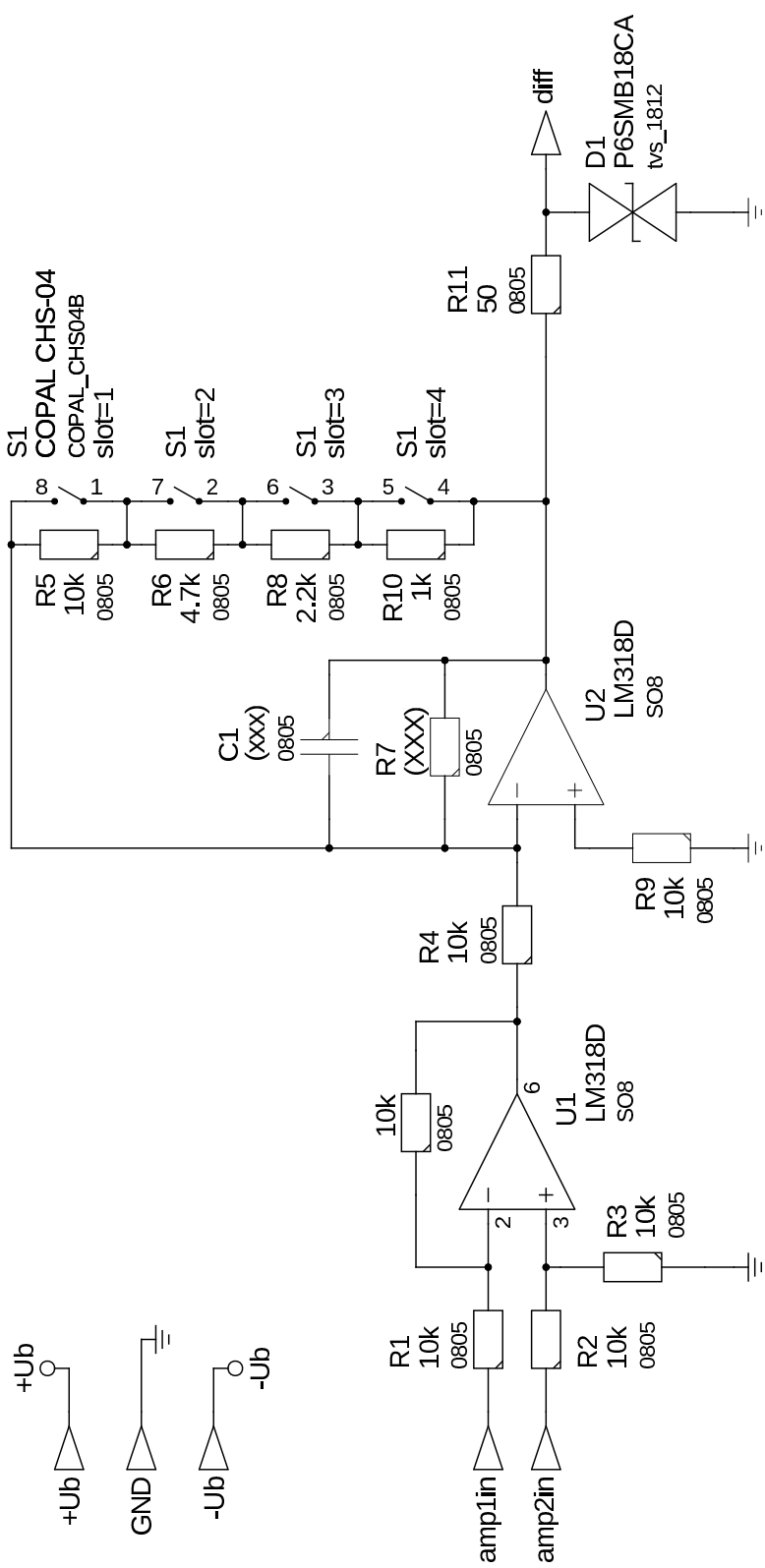
v1

REV.:

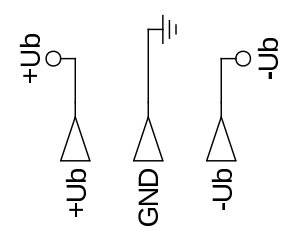
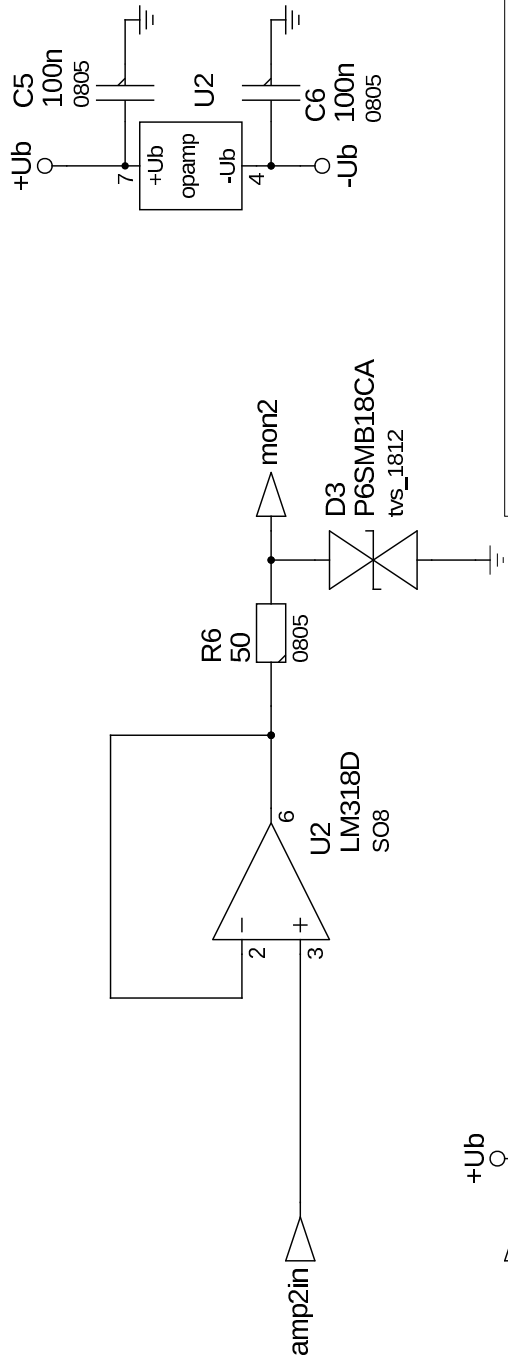
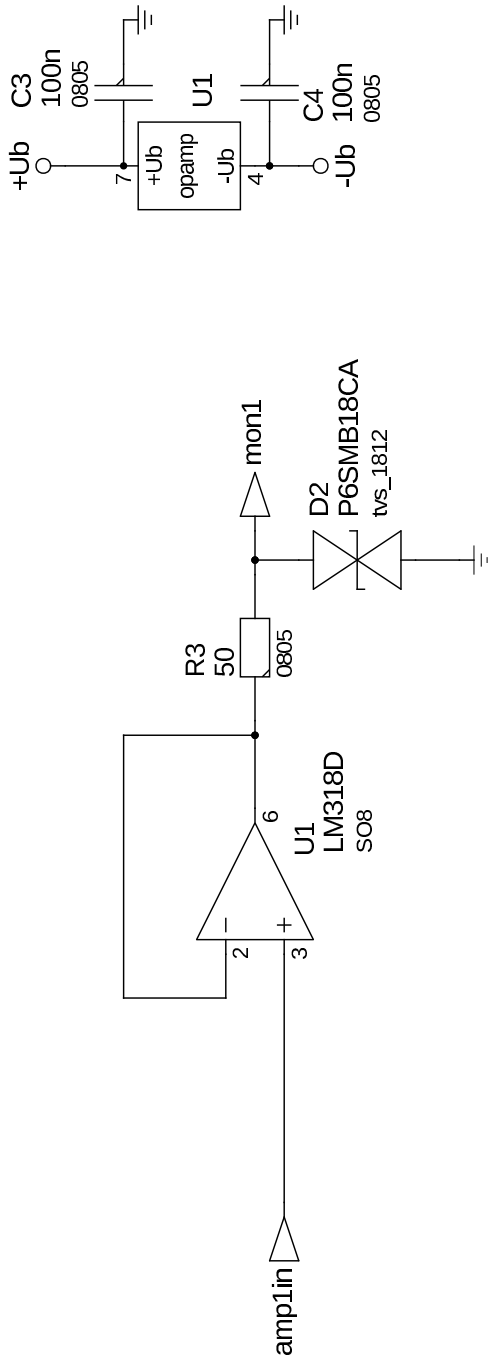
20.06.14

DATE:

PAGE: 3 / 5



TITLE: diffamp		REV.: V1
		DATE: 30.06.14
PROJECT: Matthew		DRAWN BY: 4/5
FILE: diffampPDdiff.sch		



<h1 style="text-align: center;">monitorPDdiff</h1>		TITLE:	V1
		PROJECT:	REV.: 30.06.14
<h2 style="text-align: center;">monitorPDdiff.sch</h2>		FILE:	DATE: 30.06.14
		DRAWN BY:	PAGE: 5/5

Matthew