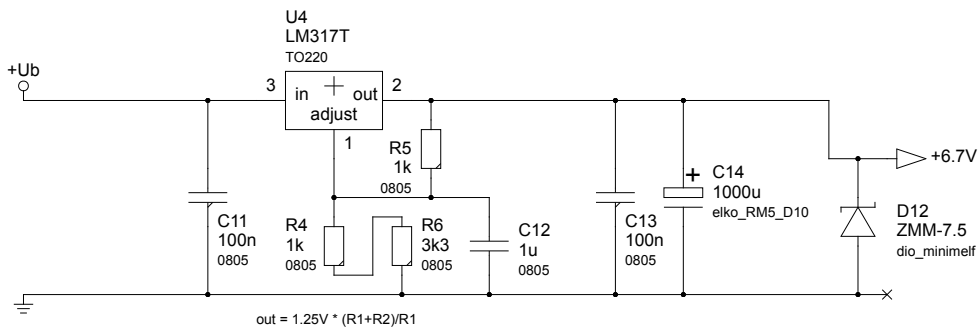
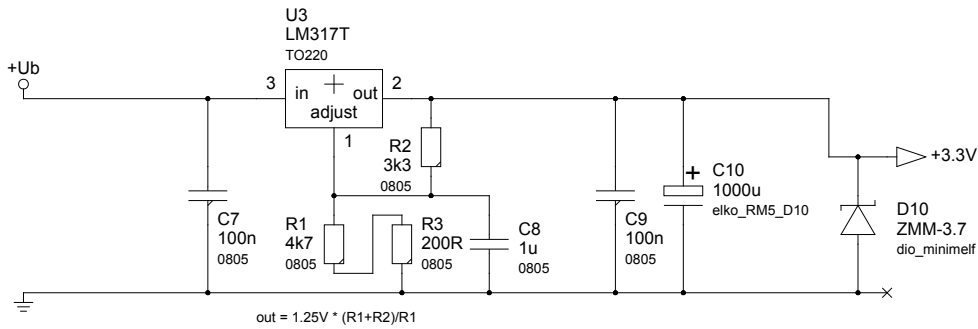
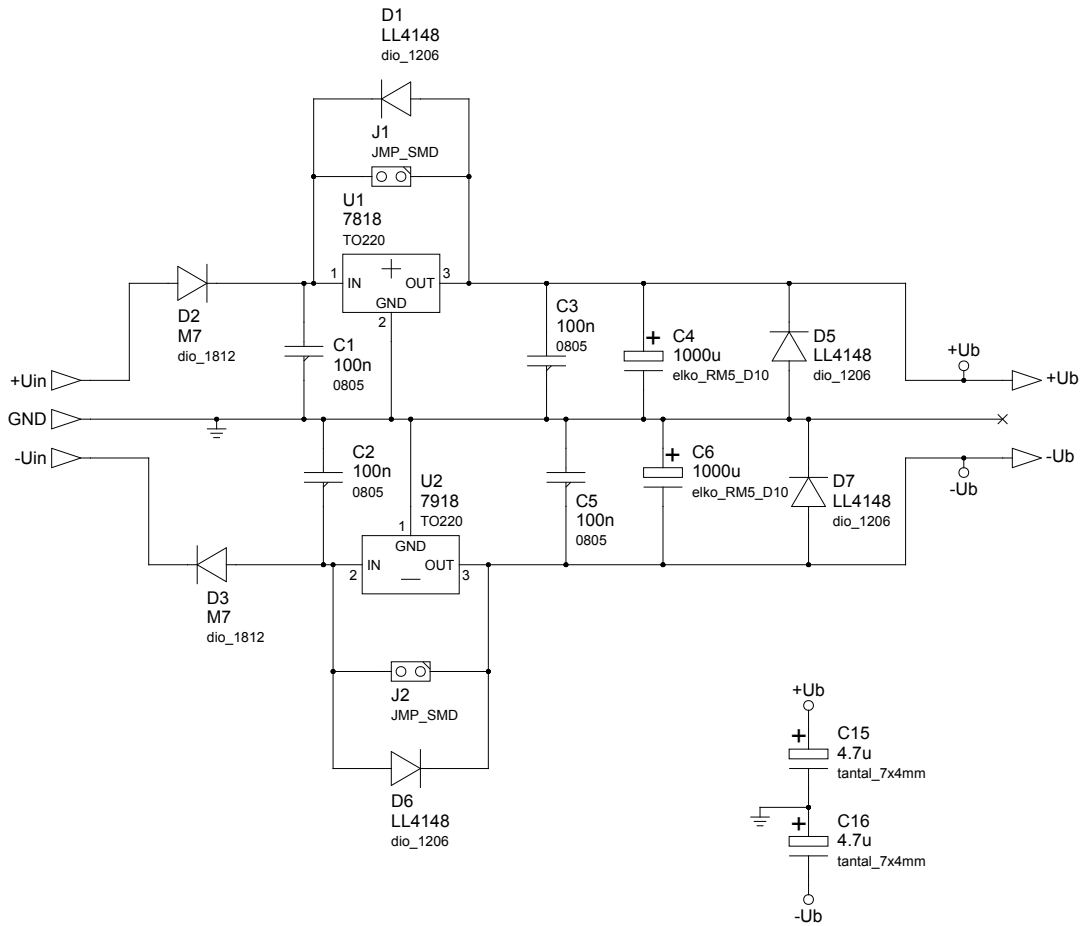
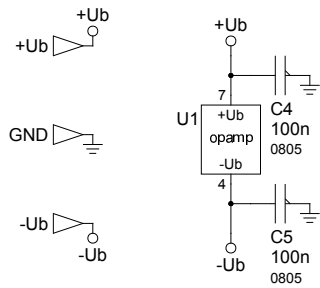
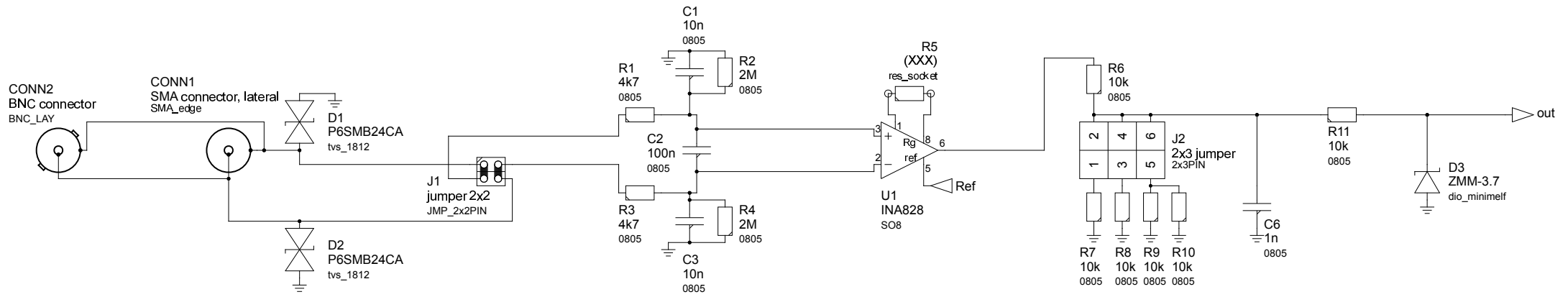


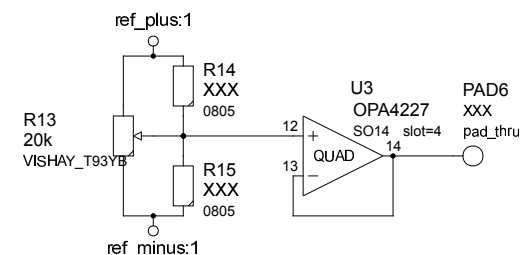
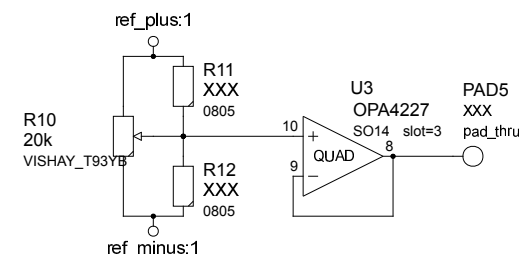
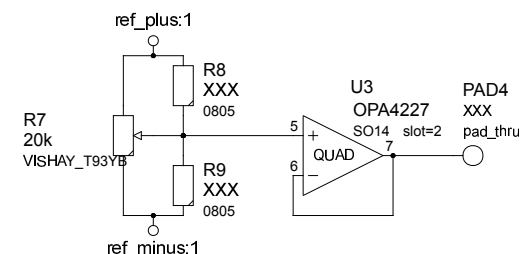
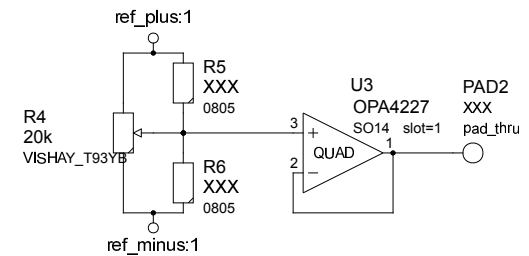
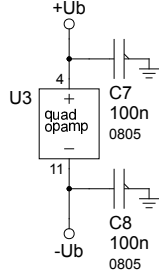
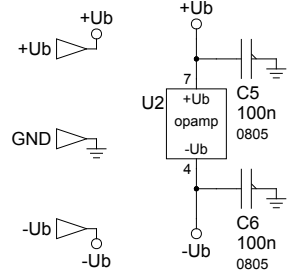
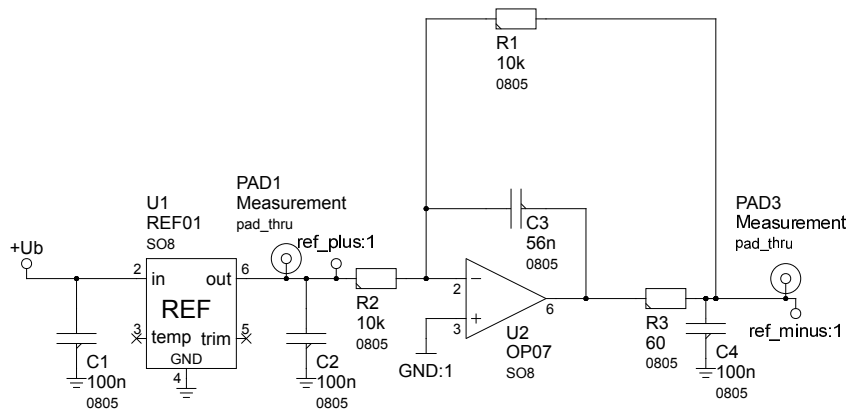
diff. voltage read-in		REV: v1
TITLE:	diff. voltage read-in	
PROJECT:	differential voltage read-in	
FILE:	diff. voltage read-in.sch	Martin Q DRAWN BY:
		DATE: 09.12.21
		PAGE: 1/4



<h1>supply</h1>		v1
TITLE:	REV.:	
PROJECT:	09.12.21	
FILE:	supply.sch	DATE:
	Martin Q	PAGE: 2/4
	DRAWN BY:	



<h1 style="text-align: center;">one_voltage_read_in</h1>		REV.: v1
		DATE: 09.12.21
PROJECT: differential voltage read-in	DRAWN BY: Martin Q	DATE:
FILE: one_voltage_read_in.sch		PAGE: 3/4



<h1>reference level</h1>		v1
TITLE:		REV.:
PROJECT: differential voltage read-in		10.12.21
FILE: reference_level.sch		DATE:
DRAWN BY: Martin Q		PAGE: 4/4