

six_op_amps		REV: 1
PROJECT: QAI fiber MOT		DATE: 16.10.20
FILE: six-op-amps.sch	DRAWN BY: Martin Q	PAGE: 1/2

OP amp circuit, possibilities:

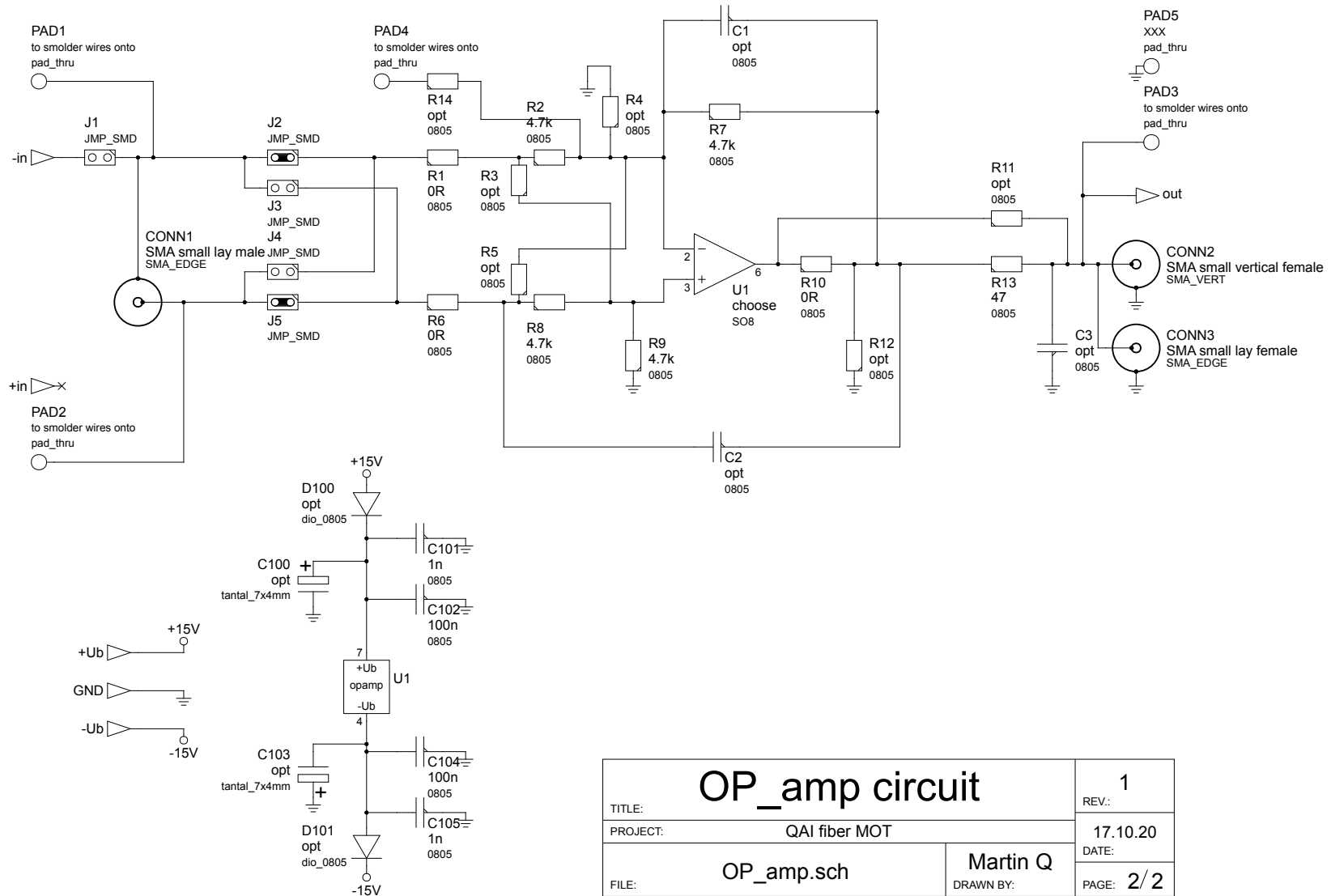
- voltage follower
- inverting adder
- non-inverting adder
- diff amp
- active low-pass / high-pass
- low-pass / high-pass 2nd order
- Butterworth filter

Input stage, possibilities:

- SMA
- Pads (smolder wires to them)
- +in and -in (connect SMD jumpers)

Output stage, possibilities:

- SMA
- Pad
- out



TITLE: OP_amp circuit		REV.: 1
		PROJECT: QAI fiber MOT
FILE: OP_amp.sch		DATE: 17.10.20
DRAWN BY: Martin Q		PAGE: 2/2