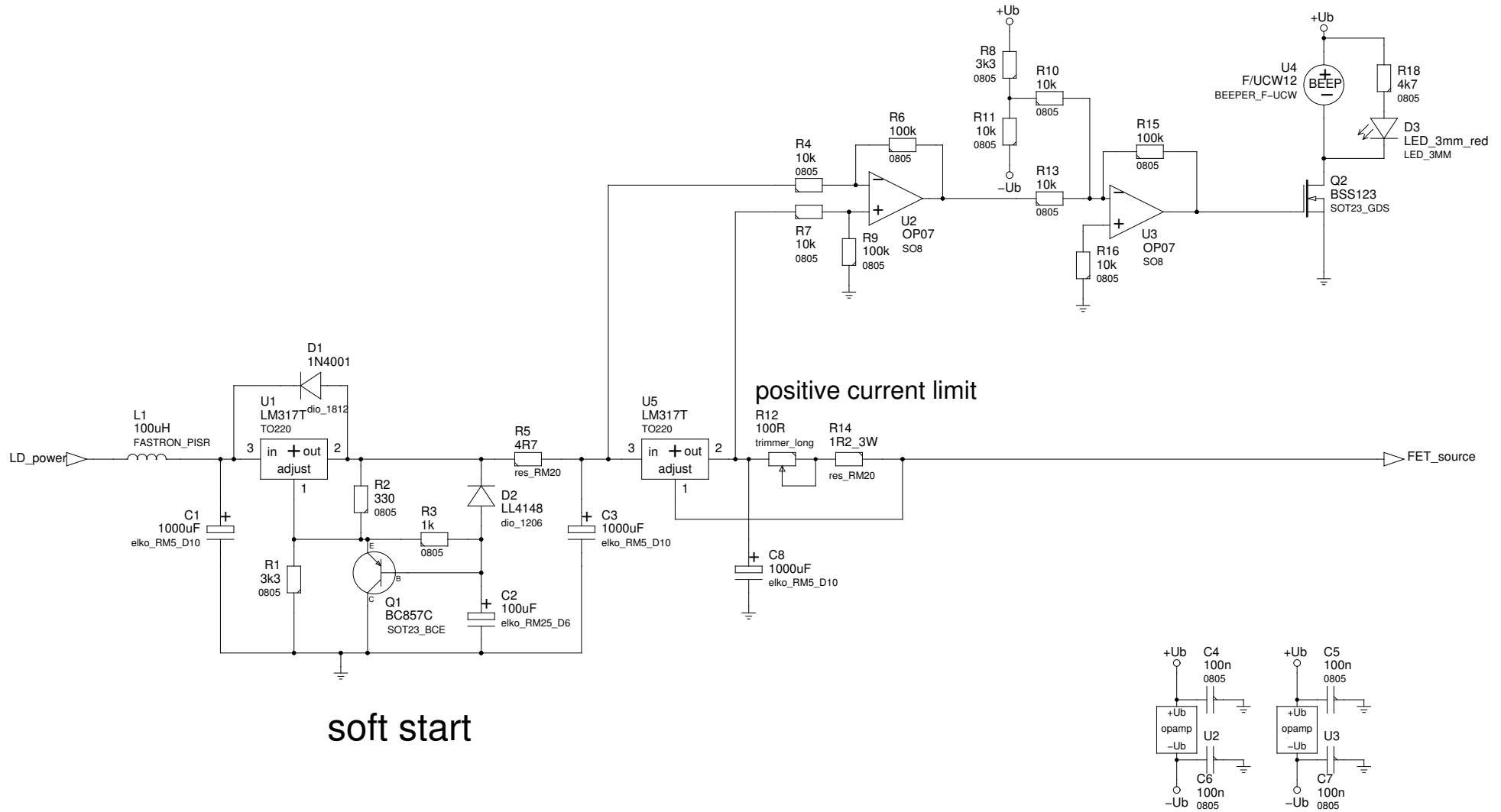


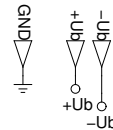
# Warn, when beyond the limit



soft start

positive current limit

value in parenthesis ----> Do not populate  
value with asterisk ----> value may have to be changed



TITLE		Lasertreiber (Limit)		REV.: 0.1
		FILE: lasertreiber_3_limit.sch		DATE: 27.5.08
DRAWN BY: --<(kmk)-->		PAGE: 4/4		