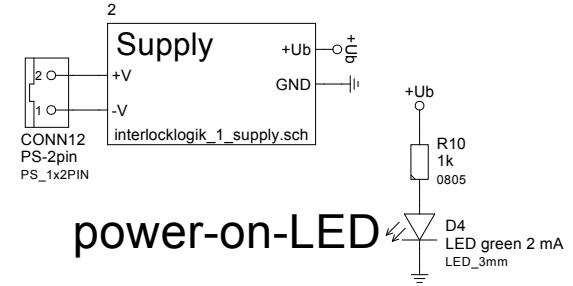
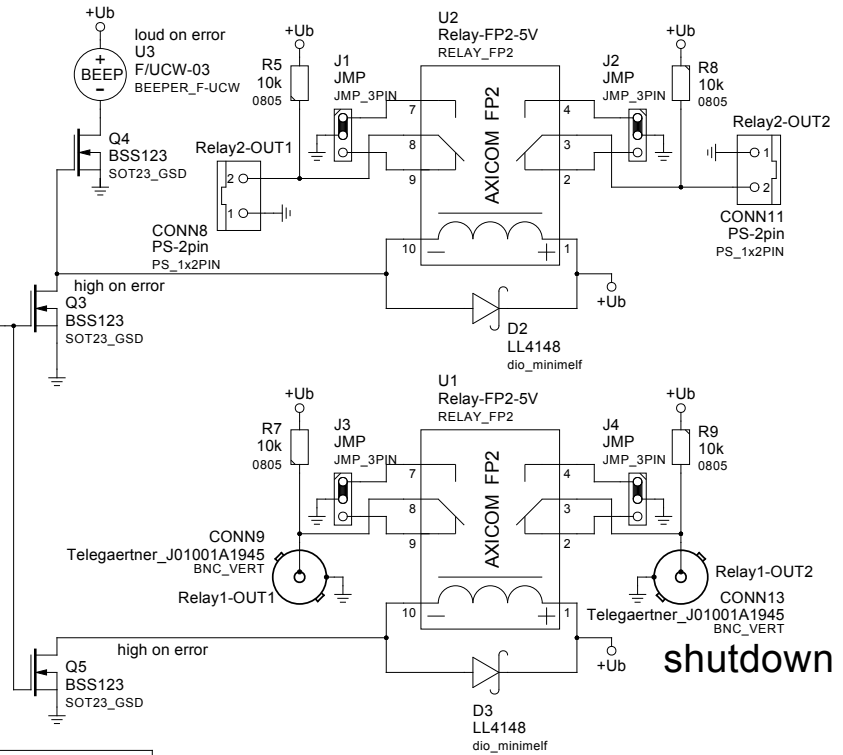
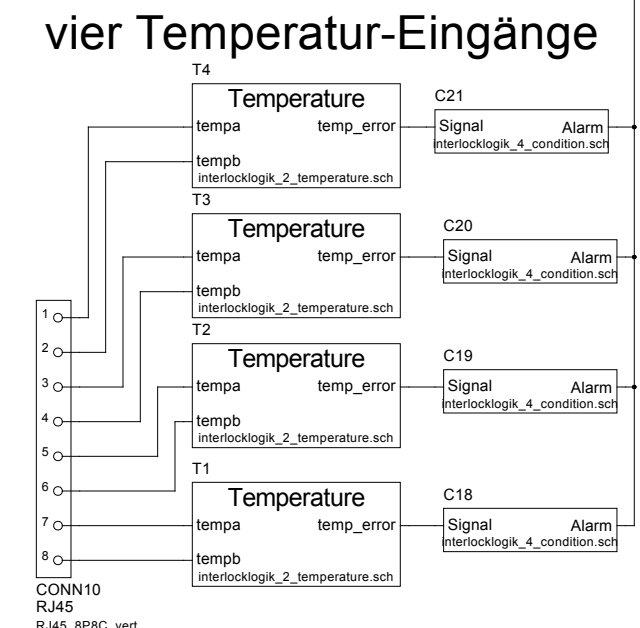
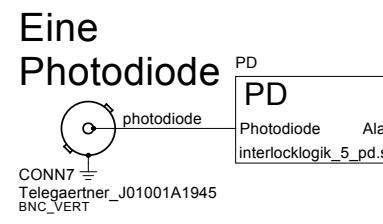
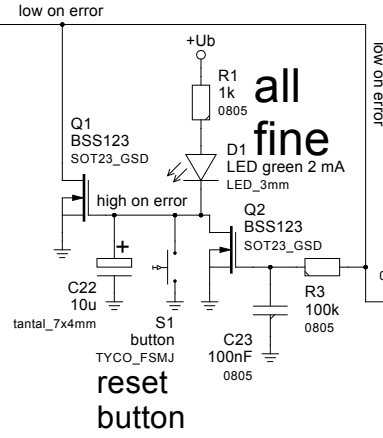


2 Wasserwächter

1 Bonus-Anschluss (extern)

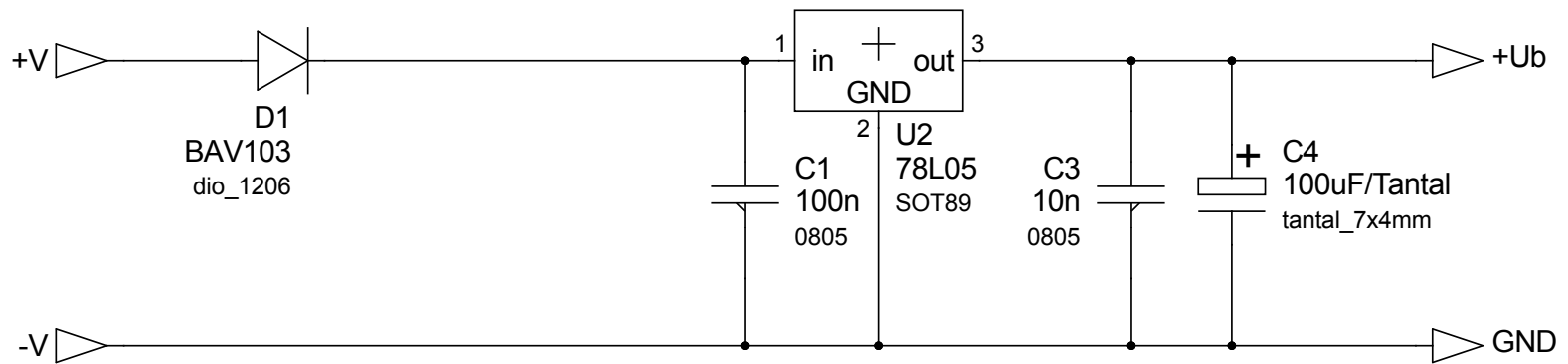
1 Bonus-Anschluss (intern)

Anschlüsse für zwei Terrotek-Chiller



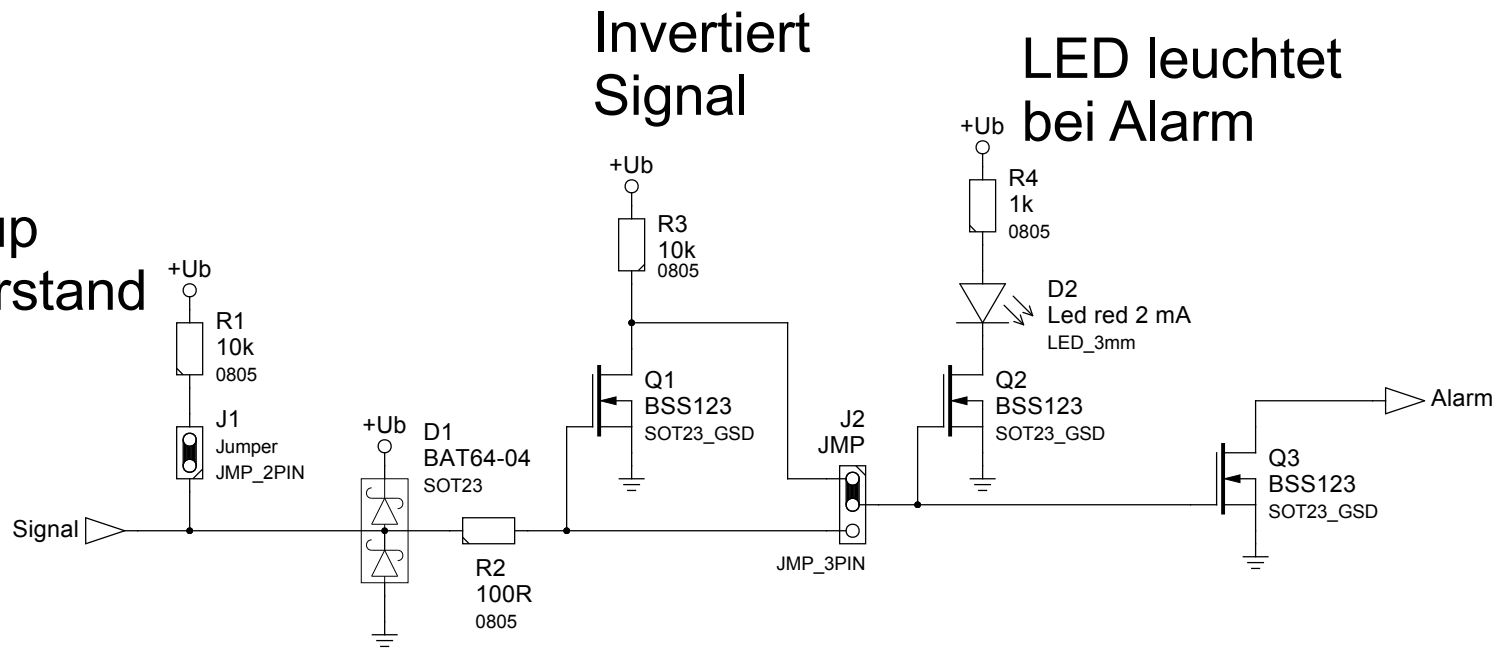
Interlocklogik		3.3
		REV.:
TITLE	interlocklogik.sch	19.03.2013
FILE:	kmk / lb	DATE:
	DRAWN BY:	PAGE: 1/5

+/- 5V supply with virtual ground

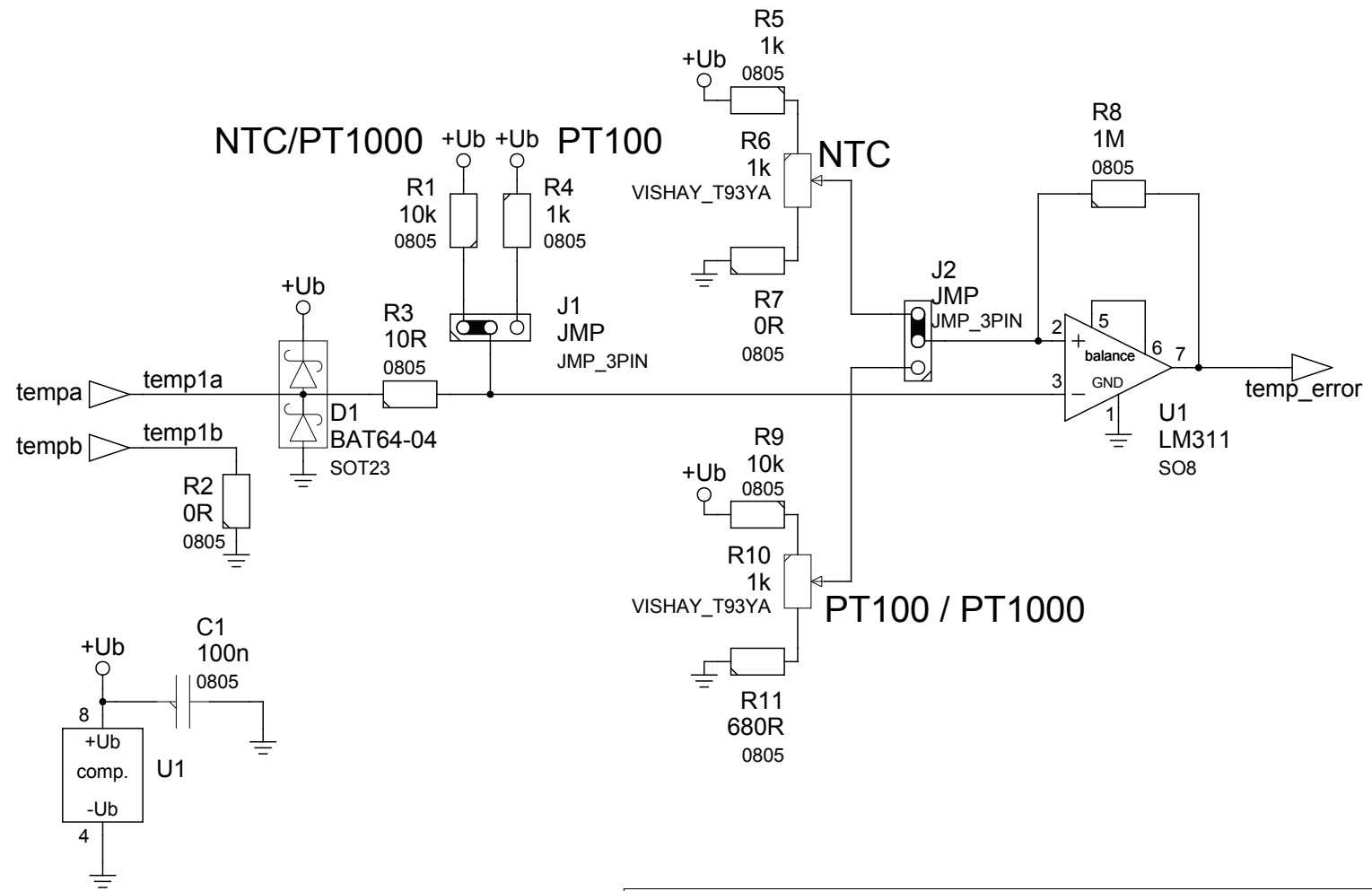


TITLE: Interlocklogik supply		REV.: 3.3
PROJECT:		DATE: 15.02.13
FILE: interlocklogik_1_supply.sch	DRAWN BY: kmk / lb	PAGE: 2 / 5

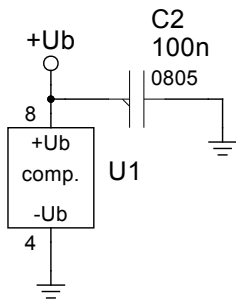
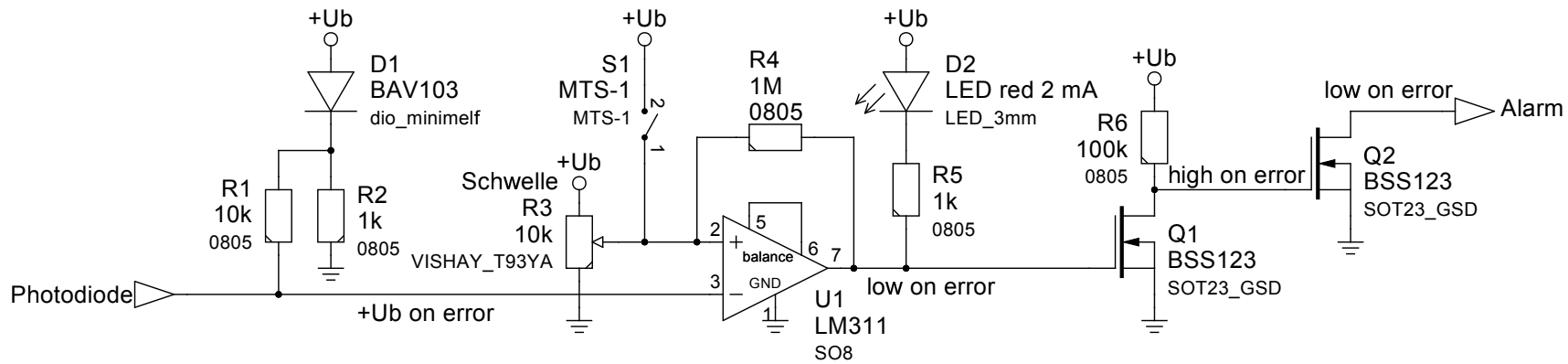
Pull-up
Widerstand



TITLE: Interlocklogik Condition		REV.: 3.2
PROJECT:		DATE: 15.02.13
FILE: interlocklogik_4_condition.sch	DRAWN BY: kmk / lb	PAGE: 3/5



TITLE: Interlocklogik Temperature		REV.: 3.3
PROJECT:		DATE: 19.02.16
FILE: interlocklogik_2_temperature.sch	DRAWN BY: kmk / lb	PAGE: 4/5



Interlocklogik PD

TITLE:

PROJECT:

FILE: interlocklogik_5_pd.sch

DRAWN BY: kmk / lb

3.2

REV.:

15.02.13

DATE:

PAGE: 5/5