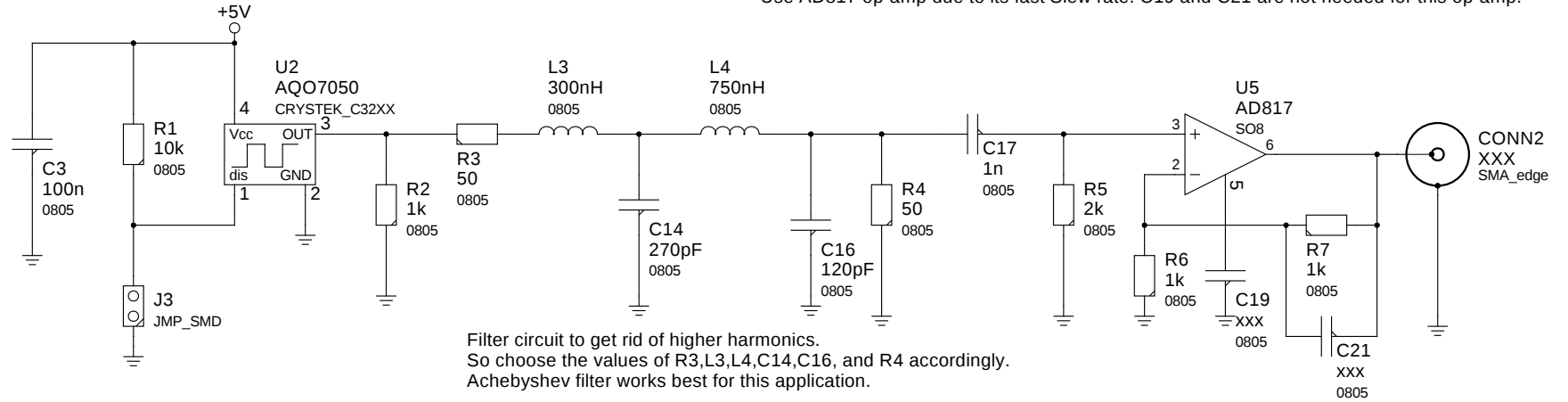
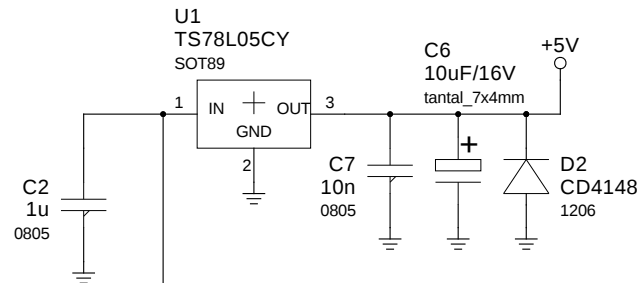


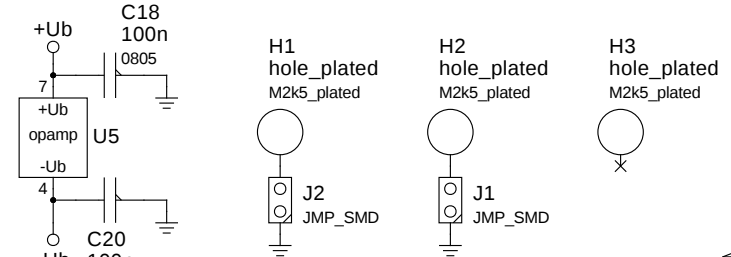
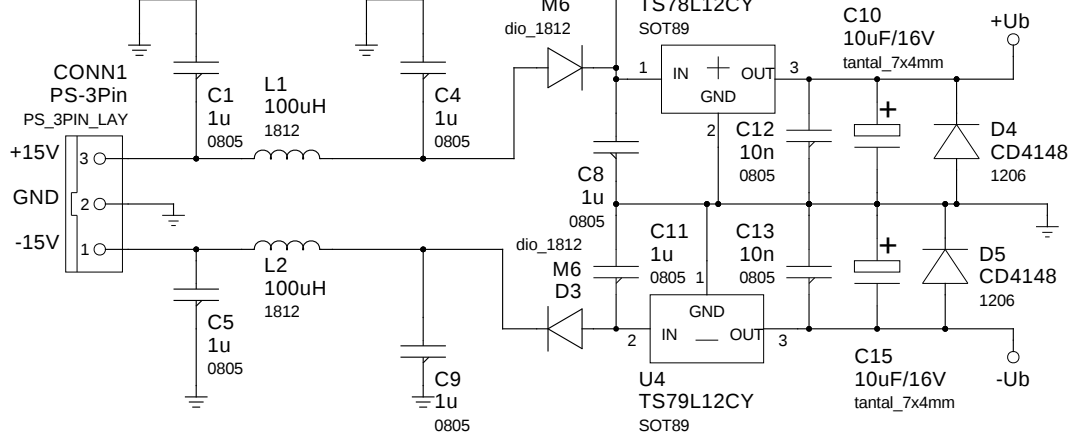
Add a 1 nF capacitor in parallel to R5. This helps get rid of offset for some reason.
 Use AD817 op-amp due to its fast Slew rate. C19 and C21 are not needed for this op-amp.



+/- 5V supply



+/- 12V supply



M1
 Hammond 1590LLB
 BOX_HAMMOND_1590LLB

TITLE: FixedSine		REV.: 1.1
PROJECT:		18.07.15
FILE: fixedsine.sch		DATE:
DRAWN BY: Jha/Mg		PAGE: 1/1