

Sheet: /supply/
File: supply.sch

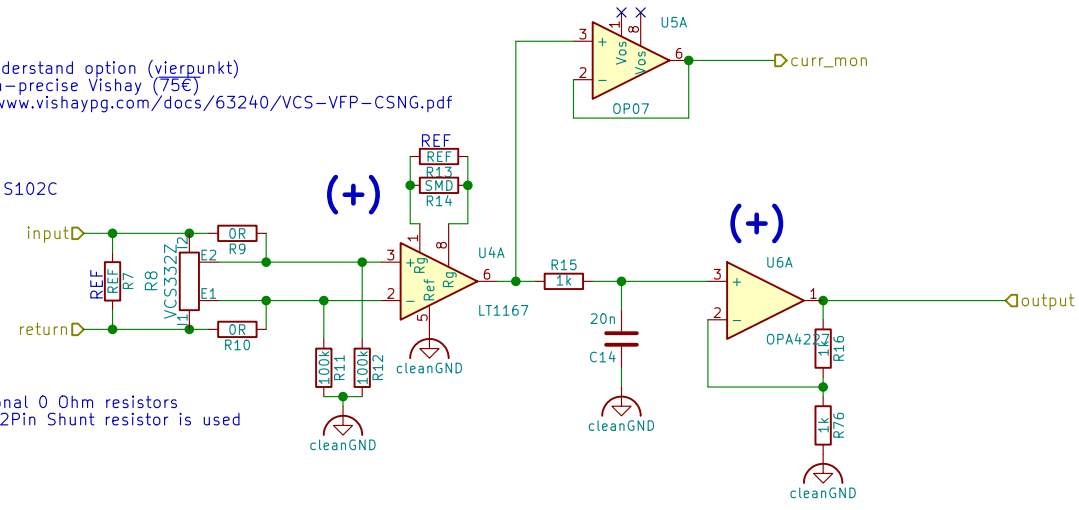
Title:

Size: A4 Date:
KiCad E.D.A. kicad 4.0.4-stable

Rev:
Id: 2/14

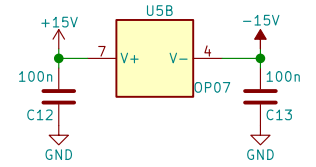
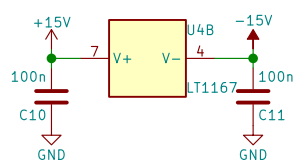
Ref-Widerstand option (vierpunkt)
 für ultra-precise Vishay (75€)
<http://www.vishaypg.com/docs/63240/VCS-VFP-CSNG.pdf>

Vishay S102C



optional 0 Ohm resistors
 if a 2Pin Shunt resistor is used

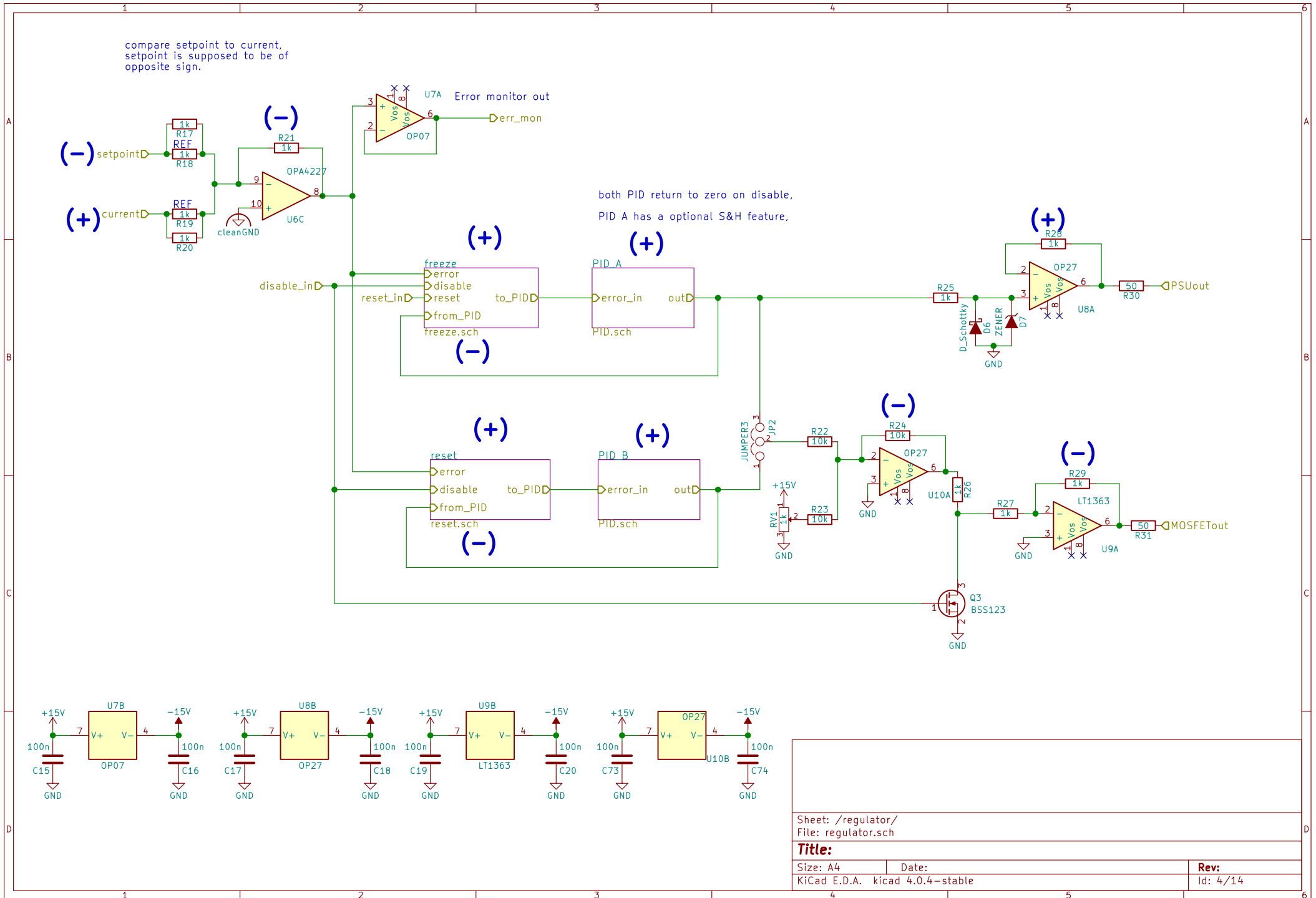
Referenzwiderstand mit kühlkörper,
 weg von wärmquellen
 so dicht wie möglich an die subD buchse



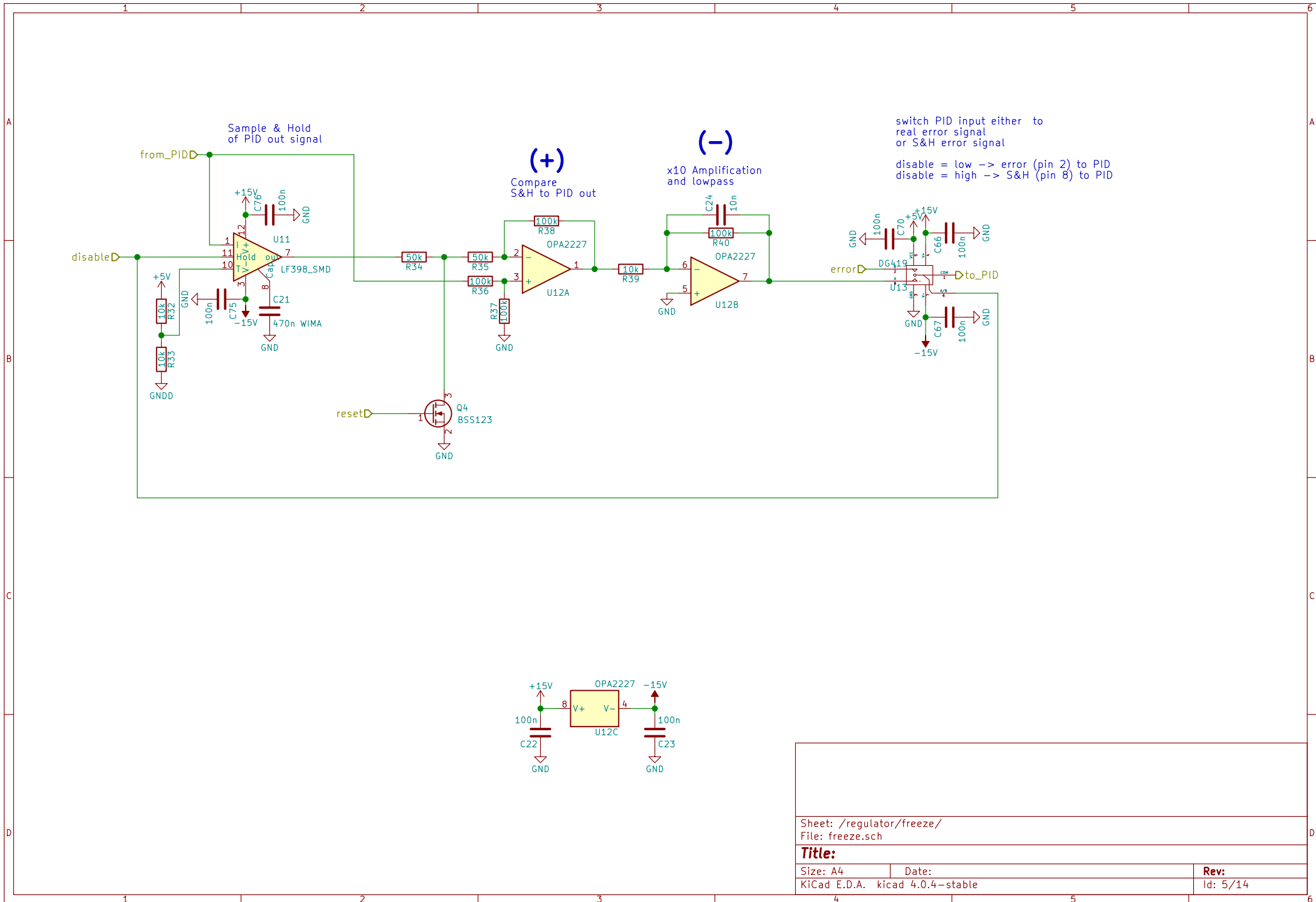
| | |
|---|-----------|
| Sheet: /current readout/ File: current_readout.sch | |
| Title: | |
| Size: A4 | Date: |
| KiCad E.D.A. kicad 4.0.4-stable | Rev: 3/14 |

compare setpoint to current,
setpoint is supposed to be of
opposite sign.

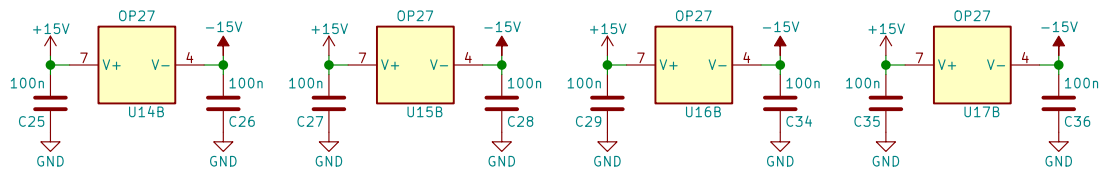
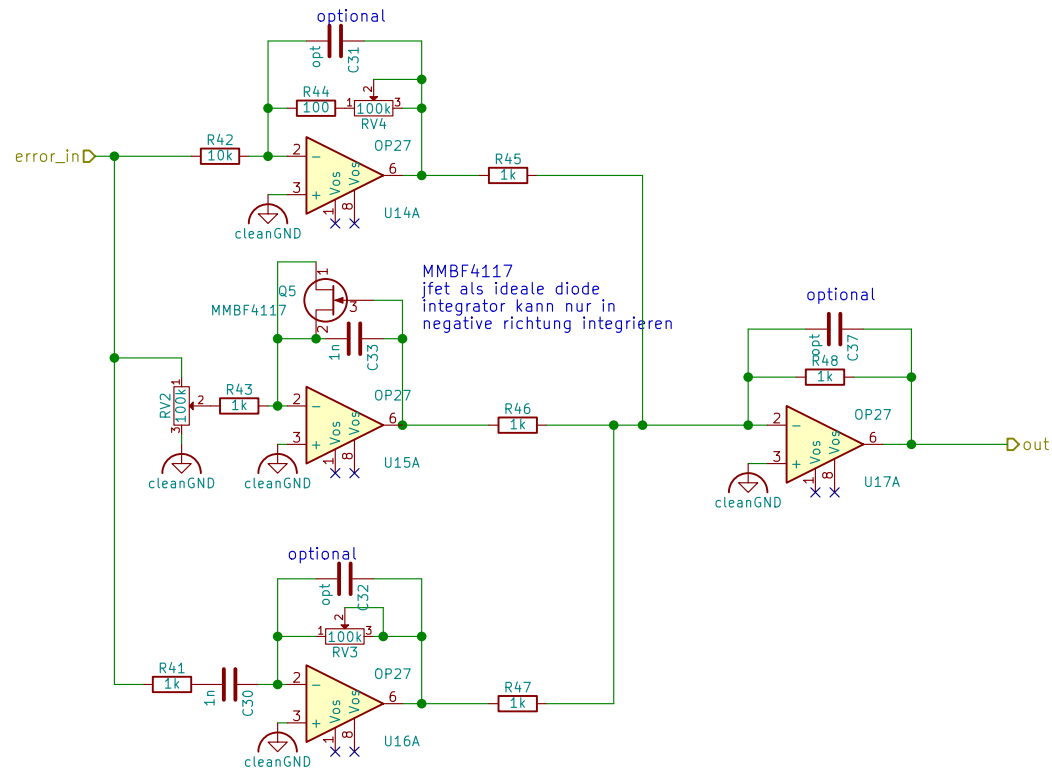
both PID return to zero on disable,
PID A has a optional S&H feature,



| | |
|---------------------------------|-----------|
| Sheet: /regulator/ | |
| File: regulator.sch | |
| Title: | |
| Size: A4 | Date: |
| KiCad E.D.A. kicad 4.0.4-stable | Rev: 4/14 |



| | |
|---------------------------------|---------------|
| Sheet: /regulator/freeze/ | |
| File: freeze.sch | |
| Title: | |
| Size: A4 | Date: |
| KiCad E.D.A. kicad 4.0.4-stable | Rev: Id: 5/14 |



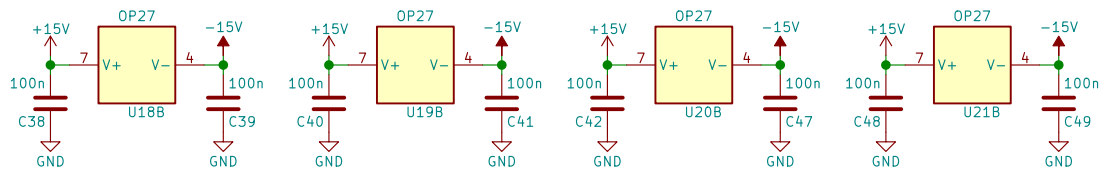
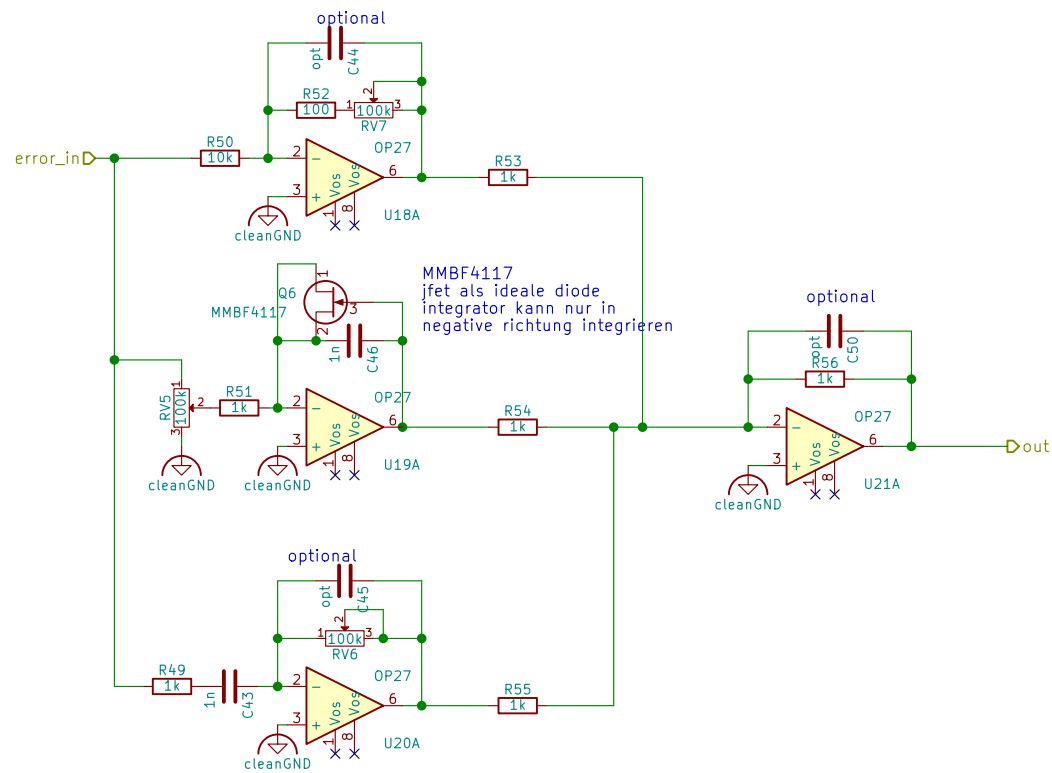
Sheet: /regulator/PID_A/
File: PID.sch

Title:

Size: A4
KiCad E.D.A. kicad 4.0.4-stable

Date:

Rev:
Id: 6/14



Sheet: /regulator/PID_B/
File: PID.sch

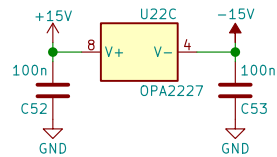
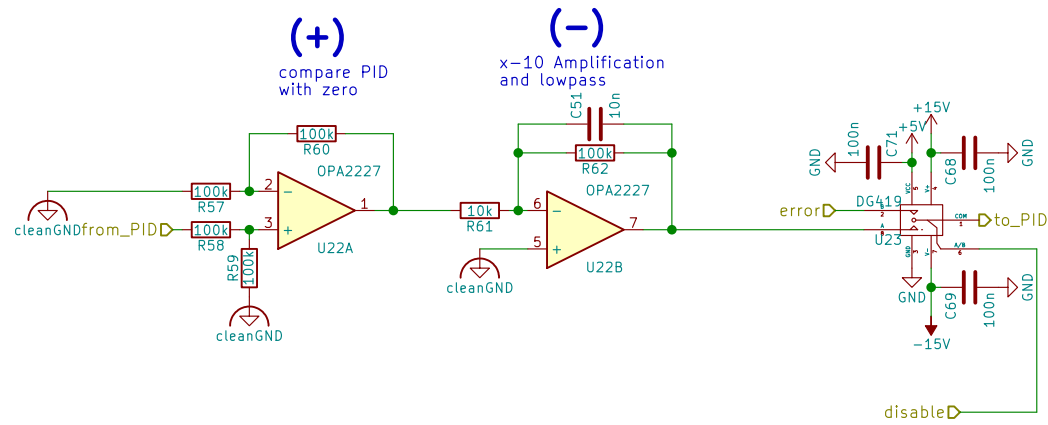
Title:

Size: A4
KiCad E.D.A. kicad 4.0.4-stable

Date:

Rev:

Id: 7/14



Sheet: /regulator/reset/
File: reset.sch

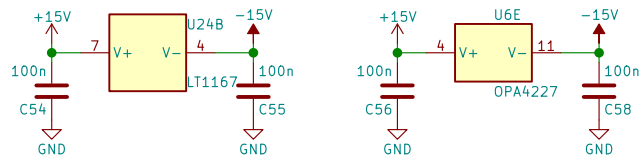
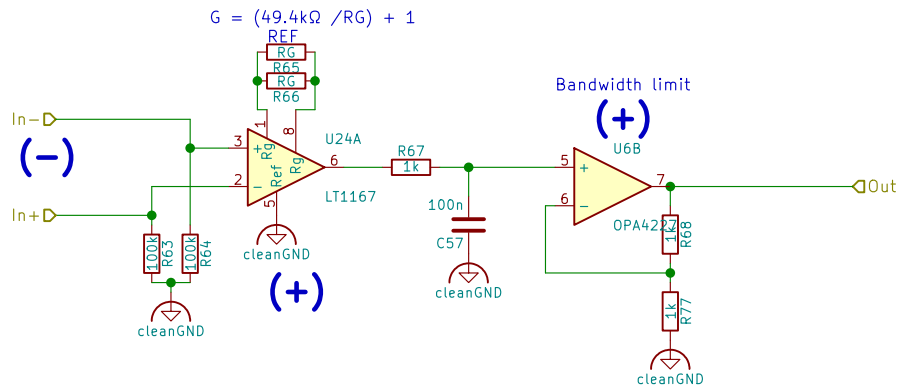
Title:

Size: A4
KiCad E.D.A. kicad 4.0.4-stable

Date:

Rev:
Id: 8/14

Invertieren, damit beim addieren die differenz herauskommt



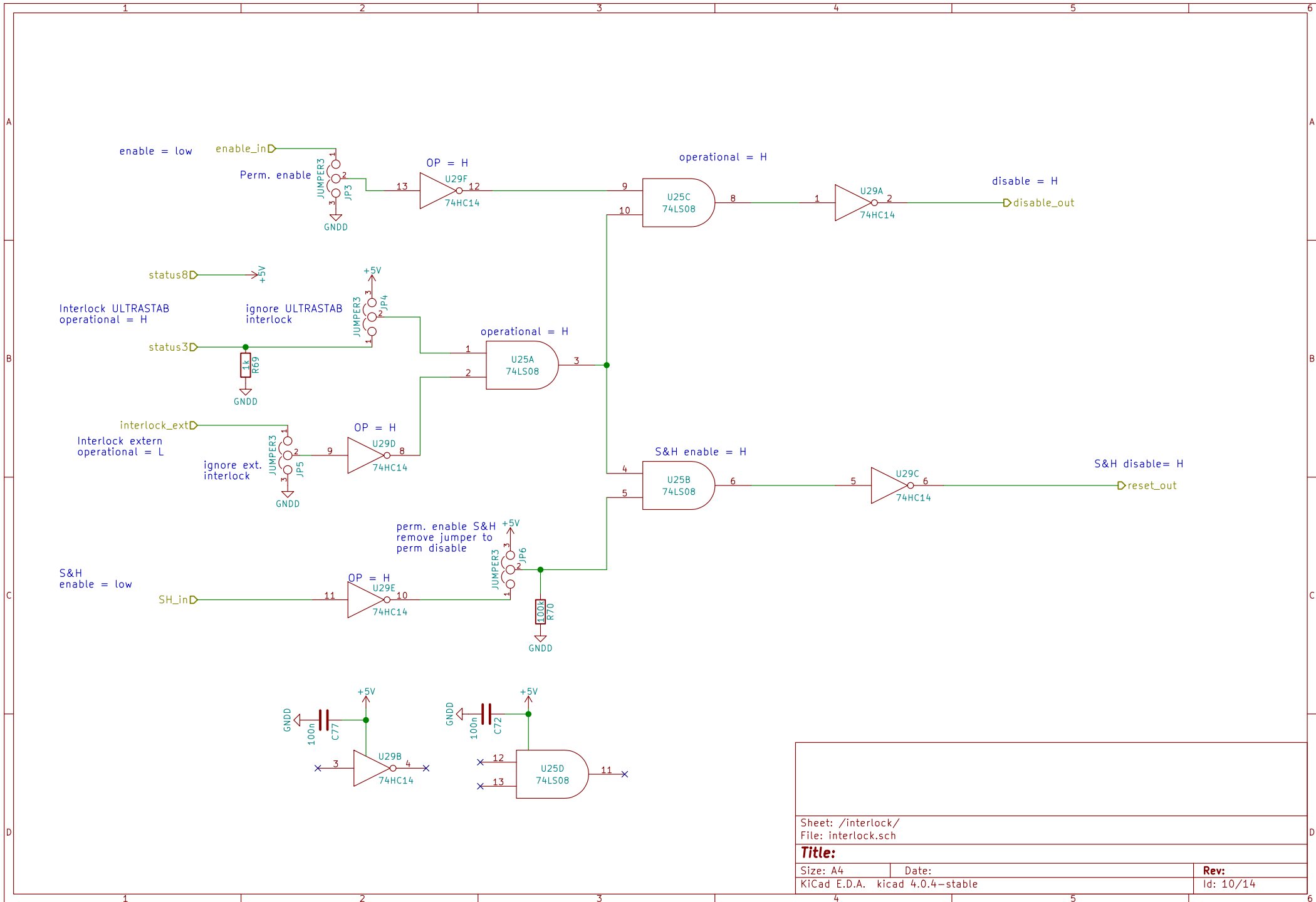
Sheet: /DiffAmp/
File: DiffAmp.sch

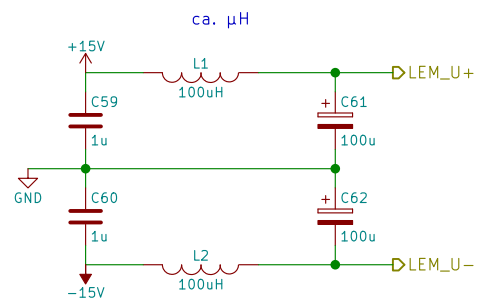
Title:

Size: A4
KiCad E.D.A. kicad 4.0.4-stable

Date:

Rev:
Id: 9/14





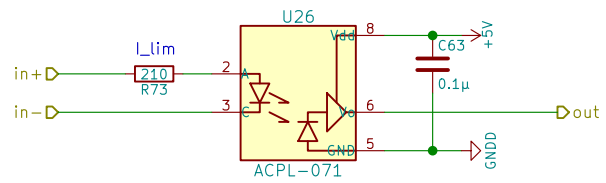
Sheet: /ULTRASTAB_supply/
 File: ULTRASTAB_supply.sch

Title:

Size: A4
 KiCad E.D.A. kicad 4.0.4-stable

Date:

Rev:
 Id: 11/14

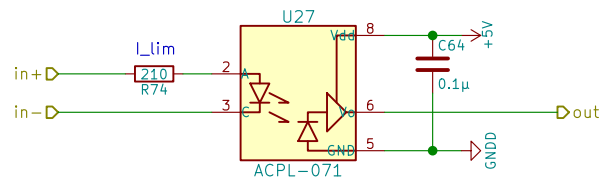


Sheet: /enable_in/
 File: TTL_in.sch

Title:

Size: A4 Date:
 KiCad E.D.A. kicad 4.0.4-stable

Rev:
 Id: 12/14

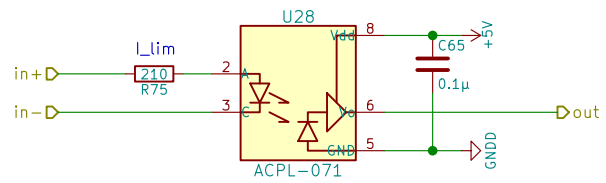


Sheet: /interlock_ext_in/
File: TTL_in.sch

Title:

Size: A4 Date:
KiCad E.D.A. kicad 4.0.4-stable

Rev:
Id: 13/14



Sheet: /reset_in/
File: TTL_in.sch

Title:

Size: A4
KiCad E.D.A. kicad 4.0.4-stable

Date:

Rev:
Id: 14/14